

AVCO

Alloy Valves and Control

BALL VALVES 200 SERIES

INSTRUMENTS • CONTROLS • VALVES

[CLICK TO VISIT OUR WEBSITE](#)

ARCO

Engineering, Inc.

SINCE 1954

www.arcoengineering.com

3317 Gilmore Industrial Blvd.
Louisville, KY 40213

Ph: (502) 966-3134

Fx: (502) 966-3135



Size

1/4" - 3" (Full Port)
1000 WOG

End Connections

NPT to ASME B1.20.1

Valve Materials

316 Stainless Steel

Ball and Stem Materials

316 Stainless Steel

Seat Materials

15% Glass Filled Teflon

Features

Locking Handle
Bottom Entry Stem to Prevent Blow-Out
Tapped Hole Mount Pad

Temperature Range

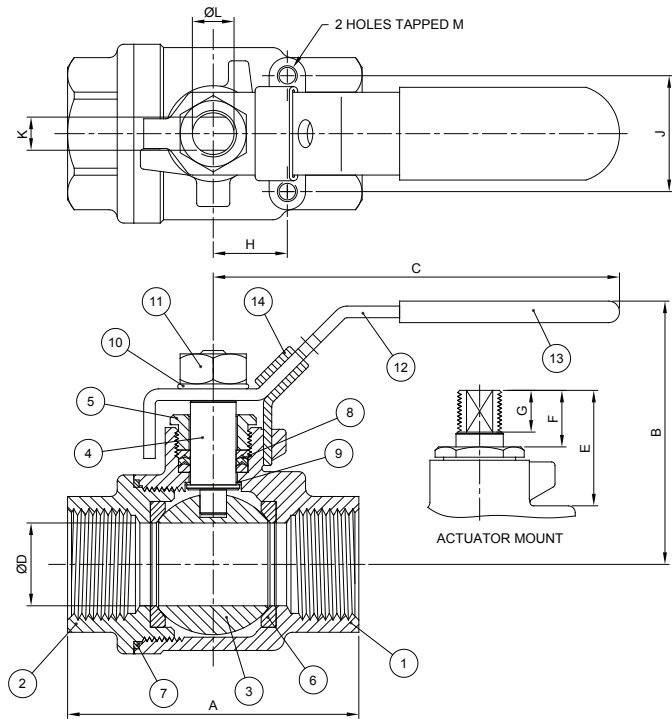
-4°F to 392°F

Service Applications

Chemical
Food Processing
Hydraulic
Steam
Thermal Fluids
Vacuum
Water/Oil/Gas

Alloy Valves and Control

Item	Parts	Material
1	Body	316 Stainless Steel
2	End Cap	316 Stainless Steel
3	Ball	316 Stainless Steel
4	Stem	316 Stainless Steel
5	Gland Nut	Stainless Steel
6	Ball Seat	15% Glass Filled Teflon
7	Body Seal	Teflon (PTFE)
8	Packing	Teflon (PTFE)
9	Thrust Washer	Teflon (PTFE)
10	Spring Washer	Stainless Steel
11	Stem Nut	Stainless Steel
12	Handle	Stainless Steel
13	Handle Sleeve	Vinyl
14	Lock Tab	Stainless Steel



SIZE	A (in.)	B (in.)	C (in.)	D (in.)	E (in.)	F (in.)	G (in.)	H (in.)	J (in.)	K (in.)	L (in.)	M	Cv	Weight (lbs)	TORQUE (in-lbs)
1/4"	2.00	2.36	3.86	0.46	0.94	0.54	0.52	0.50	1.12	0.19	0.38	M5	10	0.57	36
3/8"	2.00	2.36	3.86	0.49	0.99	0.58	0.52	0.50	1.12	0.19	0.38	M5	10	0.62	36
1/2"	2.28	2.44	3.86	0.59	0.99	0.57	0.52	0.50	1.12	0.19	0.38	M5	12	0.66	39
3/4"	2.58	2.44	4.92	0.79	1.25	0.64	0.63	0.50	1.12	0.25	0.44	M5	35	1.21	52
1"	3.10	3.15	5.79	0.98	1.55	0.70	0.64	0.88	1.38	0.31	0.44	M5	60	1.85	65
1 1/4"	3.54	3.35	5.79	1.26	1.49	0.65	0.64	1.00	1.50	0.31	0.44	M6	100	2.78	78
1 1/2"	4.13	3.94	7.48	1.50	1.71	0.84	0.79	1.00	1.50	0.39	0.50	M6	150	4.41	117
2"	4.88	4.25	7.48	1.97	1.65	0.83	0.79	1.00	1.50	0.39	0.50	M6	250	6.90	143
2 1/2"	5.76	5.35	9.84	2.48	2.16	1.23	1.08	1.14	1.97	0.47	0.75	M6	400	13.20	390
3"	6.44	5.75	9.84	2.99	2.20	1.24	1.08	1.38	2.20	0.47	0.75	M6	600	22.30	412

HOW TO ORDER

1"	2	3	3	R	T	SE
Size	Series	Body & End Material	Ball & Stem Material	Seat Material	Seal Material	End Style
1/4"	200 Series 2 Piece Ball Valve	3 - 316 SS	3 - 316 SS	R - 15% Glass Filled Teflon	T - Teflon (PTFE)	SE - NPT
3/8"						
1/2"						
3/4"						
1"						
1 1/4"						
1 1/2"						
2"						
3"						

Copyright © 2010 Alloy Valves and Control Inc. All rights reserved. No part of this brochure may be used or reproduced in any manner whatsoever without written permission from AVCO

This brochure is general in nature and we reserve the right to alter dimensions, materials or make design improvements.