

# AVCO

*Alloy Valves and Control*

## BALL VALVES 300 DM SERIES

**INSTRUMENTS • CONTROLS • VALVES**

[CLICK TO VISIT OUR WEBSITE](#)

**AVCO**

Engineering, Inc.

SINCE 1954

[www.arcoengineering.com](http://www.arcoengineering.com)

3317 Gilmore Industrial Blvd.  
Louisville, KY 40213

Ph: (502) 966-3134

Fx: (502) 966-3135



### Size

1/4" - 2" Reduced Port  
1000 WOG

### End Connections

NPT to ASME B1.20.1

### Valve Materials

316 Stainless Steel

### Ball and Stem Materials

316 Stainless Steel

### Seat Materials

Glass Filled Teflon (RTFE)

### Features

Locking Handle  
Bottom Entry Stem to Prevent Blow-Out  
ISO 5211 Direct Mount Pad  
L & T Port Patterns

### Temperature Range

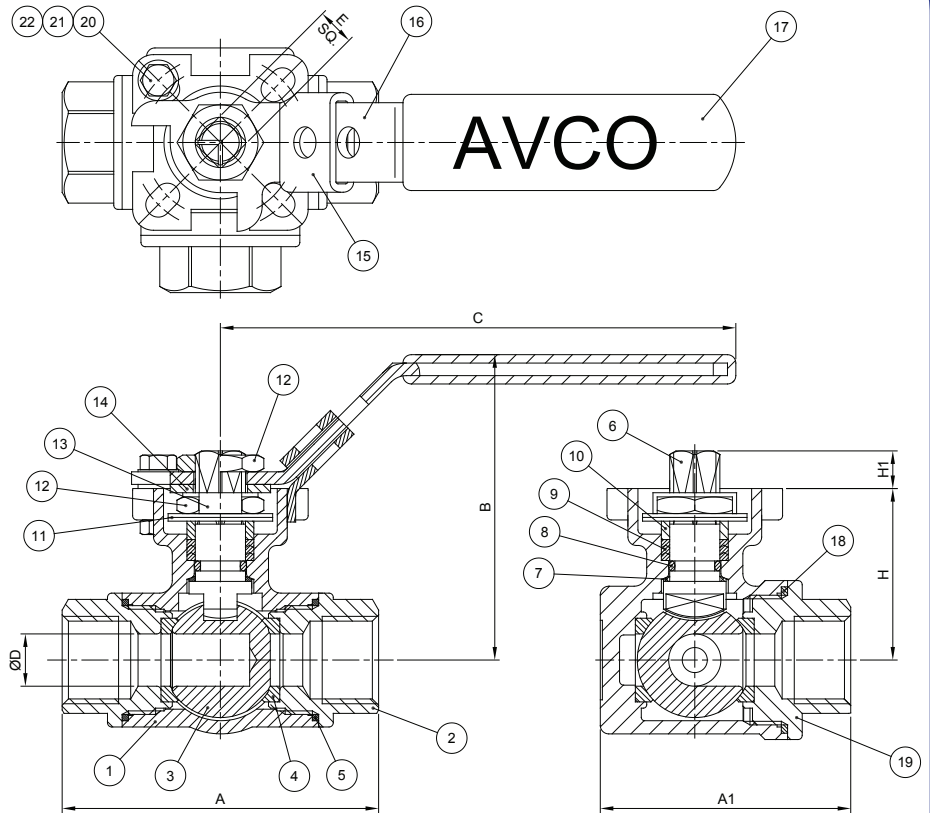
-4°F to 392°F

### Service Applications

Chemical  
Dry/Liquid Chlorine  
Food Processing  
Hydraulic  
Oxygen  
Steam  
Thermal Fluids  
Vacuum  
Water/Oil/Gas

### Alloy Valves and Control

Item	Parts	Material
1	Body	SS 316
2	End Cap B	SS 316
3	Seat	RTFE
4	Ball	SS 316
5	Gasket B	PTFE
6	Stem	SS 316
7	Thrust Washer	RTFE
8	O-Ring	Viton
9	Stem Packing	PTFE
10	Gland	SS 304
11	Spring Washer	SS 304
12	Stem Nut	SS 304
13	Lock Pad	SS 304
14	Handle Washer	SS 304
15	Locking Device	SS 304
16	Handle	SS 304
17	Sleeve	Vinyl
18	Gasket A	PTFE
19	End Cap A	SS 316
20	Stop Pin	SS 304
21	Bolt	SS 304
22	Nut	SS 304



PORT TYPE	PORT			
	1	2	3	4
L				
T				

SIZE	A (in.)	A1 (in.)	B (in.)	C (in.)	D (in.)	E (in.)	H (in.)	H1 (in.)	ISO 5211	TORQUE (in-lbs)
1/4"	2.99	2.30	2.87	4.85	0.46	0.354	1.61	0.354	F03/04	80
3/8"	2.99	2.30	2.87	4.85	0.49	0.354	1.61	0.354	F03/04	80
1/2"	2.99	2.30	2.87	4.85	0.49	0.354	1.61	0.354	F03/04	112
3/4"	3.39	2.84	2.93	4.85	0.63	0.354	1.74	0.354	F03/04	143
1"	3.90	3.22	3.43	5.98	0.79	0.433	2.11	0.433	F04/05	179
1 1/4"	4.62	3.73	3.65	5.98	0.98	0.433	2.33	0.433	F04/05	228
1 1/2"	4.87	4.09	4.35	7.17	1.26	0.551	2.99	0.591	F05/07	335
2"	5.83	4.94	4.67	7.17	1.50	0.551	3.31	0.591	F05/07	563

### HOW TO ORDER

3	3	3	R	T	SE	100	L1
Series	Body & End Material	Ball & Stem Material	Seat Material	Seal Material	End Style	Size	Port Option
300 Series 3 Way 1000 WOG Reduced Port Direct Mount Ball Valve	3 - 316 SS	3 - 316 SS	R - Glass Filled Teflon	T - Teflon	SE - NPT	025 - 1/4" 038 - 3/8" 050 - 1/2" 075 - 3/4" 100 - 1" 125 - 1 1/4" 150 - 1 1/2" 200 - 2"	L1 L2 L3 L4 T1 T2 T3 T4

Copyright © 2012 Alloy Valves and Control Inc. All rights reserved. No part of this brochure may be used or reproduced in any manner whatsoever without written permission from AVCO

This brochure is general in nature and we reserve the right to alter dimensions, materials or make design improvements.