

AVCO

Alloy Valves and Control

BALL VALVES 900 SERIES

INSTRUMENTS • CONTROLS • VALVES

[CLICK TO VISIT OUR WEBSITE](#)

AVCO

Engineering, Inc.
SINCE 1954
www.arcoengineering.com

3317 Gilmore Industrial Blvd.
Louisville, KY 40213

Ph: (502) 966-3134
Fx: (502) 966-3135



Size

1/2" - 8" (Full Port)

End Connections

150# Flanged
PN16 Flanged

Valve Materials

Carbon Steel
316 Stainless Steel

Ball and Stem Materials

304 Stainless Steel
316 Stainless Steel

Seat Materials

15% Glass Filled Teflon

Mount

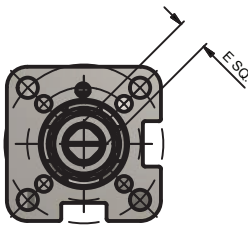
ISO 5211 Direct Mount

Service Applications

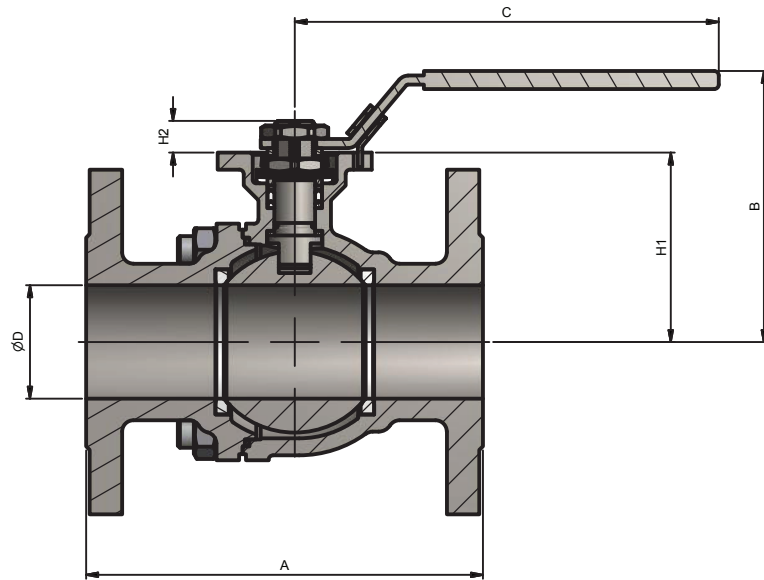
Chemical
Food Processing
Oxygen
Steam
Thermal Fluids
Vacuum
Water/Oil/Gas

Applicable Standards

ASME B16.34
API 598
API 608
ISO 5211

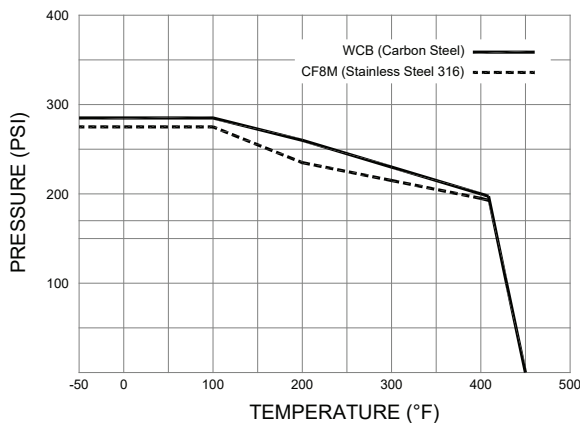


ISO Mounting Pad Detail



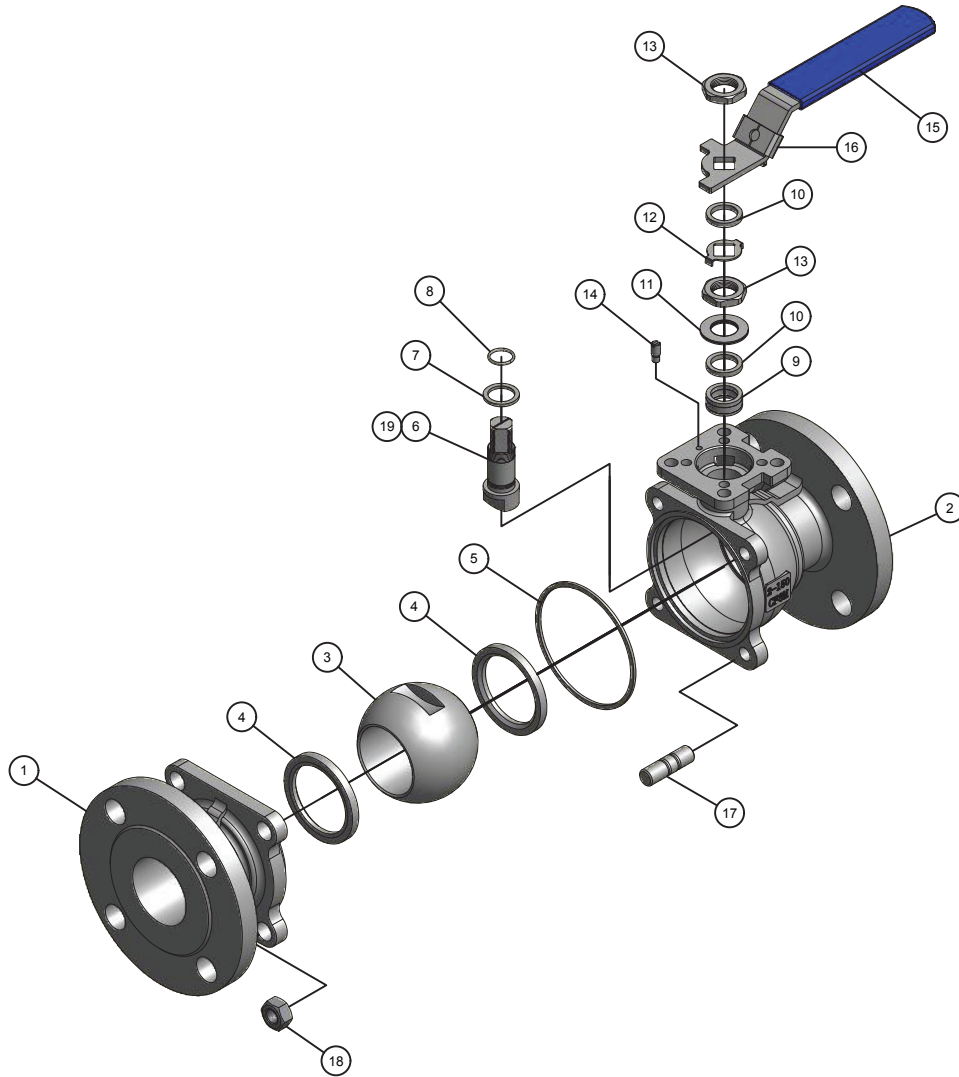
SIZE	A (mm)		B (mm)	C (mm)	D (mm)	E (mm)	H1 (mm)	H2 (mm)	ISO 5211	Torque (in.lbs)	Weight (lbs)
	150#	PN16									
1/2"	108	115	76	120	15	9	48.5	8	F03/F04	45	3.3
3/4"	117	120	81	120	20	9	53.5	8	F03/F04	65	4.1
1"	127	125	90	160	25	11	63.5	10	F04/F05	80	5.5
1 1/4"	140	130	102	160	32	11	71	10	F04/F05	125	7.2
1 1/2"	165	140	114.5	185	38	14	77.5	14	F05/F07	160	11.2
2"	178	150	122.5	185	50	14	83.5	14	F05/F07	225	15.9
2 1/2"	190	170	168	250	65	17	100	16	F07/F10	330	24.3
3"	203	180	178	250	80	17	110	16	F07/F10	585	35.6
4"	229	190	198	310	100	19	130	18	F07/F10	870	48.0
5"	356	325	234	500	125	22	165	23	F10/F12	2305	80.5
6"	394	350	262	645	150	27	190	28	F10/F12	2835	105.8
8"	457	400	304	850	200	27	232	28	F10/F12	4960	181.4

Pressure/Temperature Rating

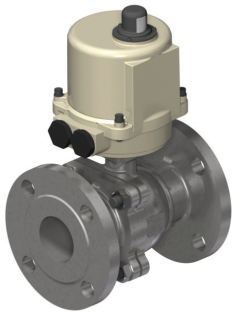


1/2" THRU 8"

- Full Port
- 150# & PN16 Flanged
- ISO 5211 Direct Mount Pad
- Adjustable Packing
- Anti-Static
- Blow-out Proof Stem
- Locking Handle as Standard

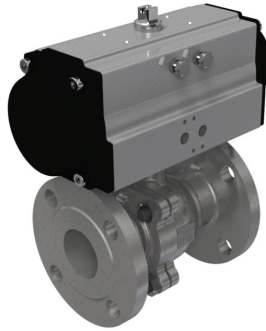


Item	Part	Carbon Steel	Stainless Steel	Item	Part	Carbon Steel	Stainless Steel
1	End Cap	WCB	CF8M	13	Stem Nut	304 SS	304 SS
2	Body	WCB	CF8M	14	Stop Pin	304 SS	304 SS
3	Ball	304 SS	316 SS	15	Handle/Sleeve	304 SS/Plastic	304 SS/Plastic
4	Seat	15% Glass Filled PTFE	15% Glass Filled PTFE	16	Handle Lock	304 SS	304 SS
5	Body Seal	PTFE	PTFE	17	Body Stud	ASTM A193-B8	ASTM A193-B8
6	Stem	304 SS	316 SS	18	Body Nut	ASTM A194-8	ASTM A194-8
7	Thrust Washer	PTFE	PTFE	19	Anti-Static Device	304 SS	304 SS
8	O-Ring	Viton	Viton				
9	Packing	PTFE	PTFE				
10	Gland Ring	304 SS	304 SS				
11	Disc Spring Washer	304 SS	304 SS				
12	Lock Washer	304 SS	304 SS				



Electric Actuator

120/230 VAC
12/24 VDC
NEMA 4/7
Positioners 4-20 mA
Reversing
Telemetry
Battery Back-up
Spring Return



Pneumatic Actuator

Double Acting
Spring Return
Solenoid Valves
Limit Switches
Positioners 3-15 PSI
Positioners 4-20 mA
Intelligent Positioner
Declutchable Manual Override



Manual Valves

Spring Return
Stem Extensions
Fusible Link
Lock Device
Gear Operators

HOW TO ORDER

9	3	3	R	T	150	100	DM
Series	Body & End Material	Ball & Stem Material	Seat Material	Seal Material	End Style	Size	Option
900 Series 2 Piece Economy Full Port Flanged Ball Valve	1 - Carbon Steel 3 - 316 SS	3 - Stainless Steel	R - 15% Glass PTFE	T - Teflon (PTFE)	150 - 150# Flange PN16 - PN16 Flange	050 - 1/2" 075 - 3/4" 100 - 1" 125 - 1 1/4" 150 - 1 1/2" 200 - 2" 250 - 2 1/2" 300 - 3" 400 - 4" 500 - 5" 600 - 6" 800 - 8"	DM - Direct Mount Direct Mount (DM) is standard on all valves

Copyright © 2016 Alloy Valves and Control Inc. All rights reserved. No part of this brochure may be used or reproduced in any manner whatsoever without written permission from AVCO

This brochure is general in nature and we reserve the right to alter dimensions, materials or make design improvements.