

PD6080/PD6081

PROVu[®] Super Snooper

Modbus[®] Scanners

PROVu[®]
SERIES

Super Snooper 



 **FREE**
SCANVIEW Software!

MODBUS
SCANNERS

- Modbus[®] RS-485 RTU Serial Communications as Master, Slave, or Snooper
- RS-485 Serial Communications Standard
- Decimal or Feet & Inches (with Eighths & Sixteenths) Display Options
- Scan up to 16 Modbus Process Variables
- Dual Analog Inputs (0-20 mA, 4-20 mA, 0-5 V, 1-5 V, and ± 10 V)
- Addition, Difference, Average, Multiplication, Division, Min, Max, Weighted Average, Ratio, Concentration, & More
- Large Dual-Line 6-Digit Display, 0.60" & 0.46"
- Sunlight Readable Display Standard
- NEMA 4X, IP65 Front
- Universal 85-265 VAC, or 12/24 VDC Input Power Models
- Isolated 24 VDC @ 200 mA Transmitter Power Supply
- Programmable Display & Function Keys
- 32-Point, Square Root, or Exponential Linearization
- Multi-Pump Alternation Control
- 2 or 4 Relays + Isolated 4-20 mA Output Options
- External 4-Relay & Digital I/O Expansion Modules
- Configure, Monitor, and Datalog from a PC with Free ScanView Software

INSTRUMENTS • CONTROLS • VALVES

[CLICK TO VISIT OUR WEBSITE](#)

ARCO
Engineering, Inc.
SINCE 1954
www.arcoengineering.com

3317 Gilmore Industrial Blvd.
Louisville, KY 40213

Ph: (502) 966-3134
Fx: (502) 966-3135

PRECISION DIGITAL CORPORATION

PRECISION
DIGITAL 
www.predig.com

PD6080/PD6081 PROVu® Super Snooper Modbus® Scanners



UV Resistant
Sunlight Readable



Front Panel
NEMA 4X Rated



SCANVIEW
FREE Software!



Large
0.6" Digits

PD6081

Rugged Front

Dual-Line
6-Character
Display

User Configurable
Display (Showing
custom tag)

User Configurable
Display (Showing Feet
& Inches to nearest
16th of an inch)

Programmable
Function Keys

Alarm
Status Indicators

TAKE ADVANTAGE OF YOUR MODBUS ENABLED TRANSMITTERS

By using the Modbus signal from your existing multivariable transmitters, you will open up a whole new dimension of display possibilities. Paired with a new Precision Digital Modbus Scanner, you can display multiple variables including level, interface level, density, temperature, and more.

The PD6080/81 Super Snooper Modbus Scanners are multi-purpose, easy-to-use scanners that can be programmed as Modbus RTU Masters, Slaves, or Snoopers. They are capable of scanning up to 16 process variables (PVs), which make them ideal for multiple tank level monitoring and control. Plus, they combine two independently programmed analog inputs with powerful math functions. Various math functions that may be applied to the inputs and PVs include addition, difference, average, multiplication, division, ratio, and more.

KEY FEATURES

The PROVu PD6080/81 can be programmed as a Modbus RTU Master, Slave, or Snooper. Its Modbus communications capabilities, two process input channels, and math functions make it unique, while still maintaining the great features and quality of the PROVu family.

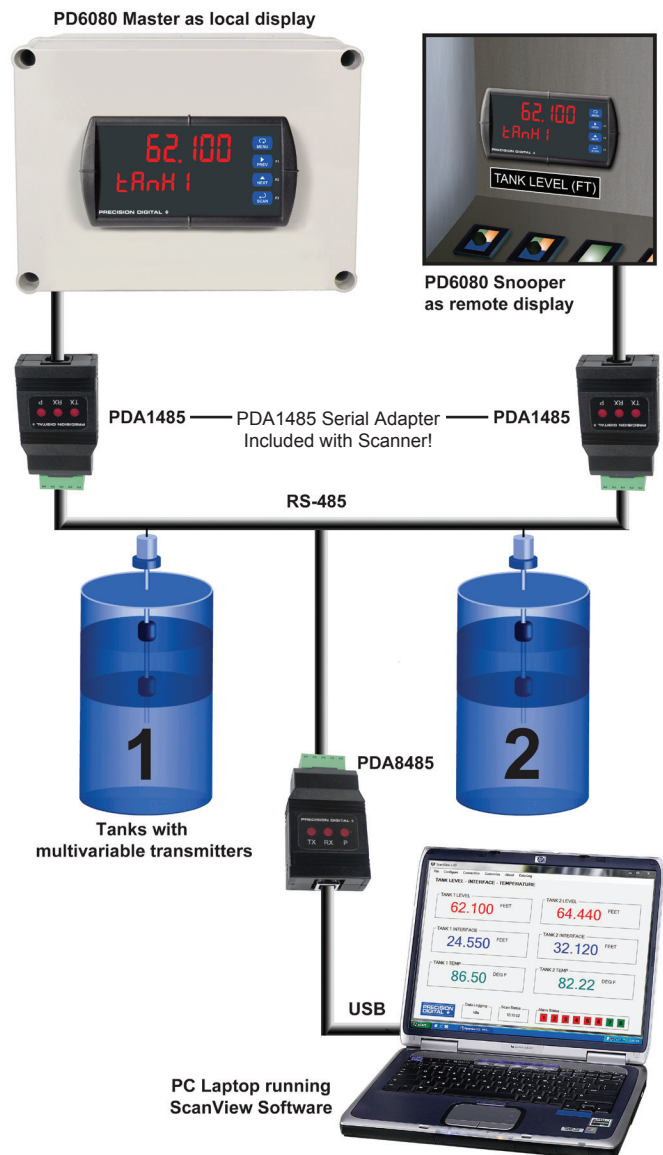
Modbus RTU Serial Communications

As a Master, the PROVu PD6080/81 reads up to 16 slave devices, scales the data from each, and displays each on an alternating display. The PD6080/81 in Master Mode is capable of polling up to 16 process variables (PVs). It displays each PV (PV1-PV16) alternately on the top and/or bottom display.

In Snooper Mode, the PD6080/81 is able to read any of the variables being polled by the master by listening to the bus traffic. It picks up specific register or registers being polled by a master device and processes the data being read. No other device on the Modbus network needs to be reprogrammed for the Snooper Mode PD6080/81 to display data polled by the Modbus master.

As a Slave, the PD6080/81 is controlled by a master device. The data sent to it by the master is scaled, displayed, and used to operate the internal relays and 4-20 mA output.

Typical Modbus Application Example



Modbus Application Capabilities

The PD6080 & PD6081 scanners can communicate with any Modbus device using the ever-popular Modbus communications protocol. Take advantage of the Modbus capabilities in the level and flow transmitters you already have by using Master Mode to read more data, more accurately. Possible applications include:

- Use Master Mode to scan the top level, interface level, and temperature from Modbus multivariable level transmitters.
- Use Master Mode to display the flow rate, tag, and units, for multiple Modbus-enabled flow meters.
- Use Snooper Mode to add a tank side indicator at eye-level for a Modbus level transmitter being polled by a master in the control room.
- Use Snooper Mode to add additional remote displays to a network with a Modbus scanner acting as the master, and display the data at all operator locations.
- Use Slave Mode to display data sent to the scanner by a Modbus master in the control room.

These are just a few capabilities of using the PD6080 & PD6081 Modbus Scanners in a Modbus process network.

Powerful Math Functions

The PD6080/81 uses up to 16 process variables in a variety of powerful math functions designed for process applications. Programmable Adder (P) and Factor (F) constants allow each formula to be customized as needed for a specific application. The Math Channels (C1-C4) may be displayed in many useful combinations. Most math functions may be applied to all PVs: for example, it is possible to add up to 16 PVs and calculate the total volume of all the tanks in a field. The Math2 function allows for further calculations on the results of other math channels (e.g. C4= C2/C1).

Name	Function	Setting
Addition	$C1=(PV1+PV2+P)*F$	5000
Difference	$C1=(PV1-PV2+P)*F$	d iF
Absolute Difference	$C1=((Abs(PV1- PV2)+P)*F$	d iFRb5
Average	$C1=((PV1+PV2)/2)+P)*F$	AVG
Multiplication	$C1=((PV1*PV2)+P)*F$	000L1
Division	$C1=((PV1/PV2)+P)*F$	d iU dE
Maximum PV	Maximum value of all selected PVs	H i-PU
Minimum PV	Minimum value of all selected PVs	Lo-PU
Draw	$C1=((PV1/PV2)-1)*F$	d rPU
Weighted Average	$C1=((PV2-PV1)*F)+PV1$	W AVG
Ratio	$C1=(PV1/PV2)*F$	rRt i0
Concentration	$C1=(PV1/(PV1+PV2))*F$	ConcEn
Resultant Math Channel	Math on all other math channels	00RtH2
Addition	$C3=(C1+C2+P)*F$	5000
Difference	$C4=(C1-C2+P)*F$	d iF
Absolute Difference	$C3=((Abs(C1- C2)+P)*F$	d iFRb5
Average	$C4=((C1+C2)/2)+P)*F$	AVG
Multiplication	$C3=((C1*C2)+P)*F$	000L1
Division	$C4=((C1/C2)+P)*F$	d iU dE

Note: The F constant can be any value from 0.00001 to 999999. If the value is less than 1, it will have the same effect as a divider. For example, the average could also be derived by using $(A+B)*F$, where $F = 0.500$.

Customizable Displays

The PROVu has two red LED displays, an Upper display 0.60" (15 mm) high, and a Lower display 0.46" (12 mm) high. Each display is a full 6 digits (-99999 to 999999). The display assignment is programmable, allowing for various one line or two line PV configurations.



Alternating Tag and Units on the Bottom Display for Each PV



Displaying Two PVs

Custom Tag and Units for Each PV

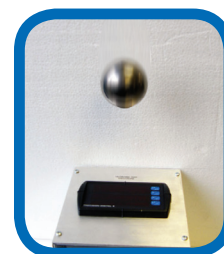
Each process variable has an independently programmable tag and unit name. The tag must display on the line opposite the PV or alternate with the PV during scanning. The unit may be configured to display similarly. The tag and unit may be programmed as any six-digit alphanumeric value.

Automatic or Manual Scanning

The scanner may automatically or manually cycle through the PVs. The scanner can be programmed to display each PV for 1 to 99.9 seconds. The NEXT and PREV buttons can be used to manually scan to the next or previous PV display. The SCAN button will pause and resume automatic scanning.

Function Keys

There are three front panel function keys, and a standard external digital input, which can be used as an external function "key" (F4). The external input is located on the rear signal connector (ground to trigger). The keys and external input trigger certain programmed events (i.e. acknowledge alarms, reset max and/or min, disable/enable output relays, and much more), provide direct menu access points, and more. Learn more about using the PROVu's Function Keys by watching a short tutorial video at www.predig.com/videos



Rugged

A unique front panel design makes the PROVu nearly impenetrable in typical applications. Here, the PROVu easily survives a direct hit on the display from a heavy 2" solid stainless steel ball dropped from a height of eight feet (approximately 2.4 meters).

Standard SunBright Displays

PROVu's SunBright displays exhibit extraordinarily bright LED indicators. They are perfect for applications where the meter is in direct sunlight or in applications where visibility may be impaired by smoke, fog, dust, or distance.

Three Tier Password Protection

The PROVu PD6080/81 offers 3 levels of password protection:

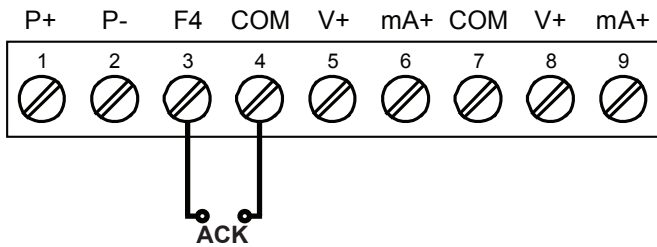
- Level 1 protection allows the operator use of only the 3 pre-configured function keys on the front panel without a password.
- Level 2 protection allows the operator use of only the function keys and the ability to change set points without a password.
- Level 3 protection restricts the operator from using the function keys and all meter configuration menus without a password.

Advanced Linearization Capability

The PROVu PD6080/81 includes a 32-point linearizer for PV1 & PV2 (all other PVs utilize two-point linearization). In non-linear level applications (i.e. some pumping or lift stations), it can easily compensate for submerged equipment or plumbing that displace usable volume. In addition to the 32-point linearization, the PROVu can perform a square root or programmable exponent function on one or both analog inputs, Modbus inputs, any or all enabled PVs, or automatically calculate level in round horizontal tanks by inputting the length and height of the tank. Each input's linearization is performed independently prior to the input value being used in any math function.

On-Board Digital Input

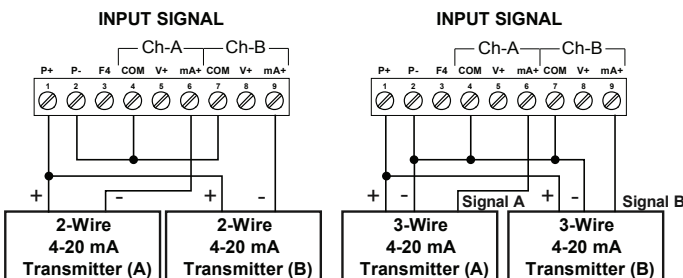
The PD6080/81 includes a digital input as a standard feature. This digital input can operate with the interlock relays feature, force relays on from a signal from a PLC or relay on other equipment, acknowledge alarms, and much more. This is ideal for installations where the meter is inaccessible behind a cover, or where an additional function key is needed for customized operation.



Dual Analog Input Scanning

The PD6080/81 has two process input channels (A & B) capable of accepting current (0-20, 4-20 mA) and voltage (± 10 , 0-5, 1-5, 0-10 VDC). Each input is programmed separately, with independent input type selection and scaling. These inputs may be displayed individually as part of the customizable dual-line display, or used with a wide range of math functions. Each input has a custom unit or tag that may be displayed. A 24 V transmitter power supply is standard and may be used to power the inputs.

Each analog input enabled counts toward the available 16 PVs that may be scanned. The scanner could be configured to scan a maximum of 14 Modbus PVs, 4 math channels, and both analog inputs.



DIGITAL COMMUNICATIONS

RS-485 Serial Communications Standard

The PD6080/81 includes an RS-485 serial communications module, PDA1485. This may be wired for full-duplex, 5-wire RS-485, or half-duplex 3-wire RS-485. A variety of serial adapters are available for other communications protocols at www.predig.com.

Meter Copy

The Copy feature is used to copy (or clone) all the settings from one PROVu to other PROVu scanners in about 20 seconds! The Copy function is a standard feature on all scanners. Both scanners must be set to Slave Mode. Copying does not require a communications adapter, only an optional cable assembly, P/N PDA1200. See ordering information for complete details.



ScanView Software

Precision Digital's free ScanView PC-based software allows the operator to easily configure, monitor, and datalog a PROVu PD6080/81 from a PC (available for download at www.predig.com) with a serial adapter. The software can save this data to the scanner and/or PC. ScanView greatly simplifies the construction of the linearization tables and gives operators another level of control. ScanView installation is required for tech support.

FIELD EXPANSION MODULES

Add functionality to the PROVu in the field with easy-to-install external expansion modules. The menu items for these modules do not appear until the module is connected, simplifying the menu.

PDA1044 I/O Expansion Module

Four digital inputs and four digital outputs are available per expansion module. The PROVu will accept two of these modules. External digital inputs can function similarly to the front panel function keys or on-board digital input F4. They can be configured to trigger certain events (i.e. acknowledge/reset alarms, reset max and/or min values, disable/enable all output relays, and hold current relay states), provide direct menu access point, or mimic front panel keys. Digital outputs can be used to remotely monitor PROVu's alarm relay output states, or the states of a variety of actions and functions executed by the scanner.

PDA1011 Dual Analog Output Module

Two additional isolated analog outputs may be added to the PROVu. These analog outputs have the same features and functions of the on-board analog output option. Each passive output requires an isolated external DC supply.

PDA1004 Relay Expansion Module

An external module containing four 3 A Form A (SPST) relays can be added to the PROVu at any time and performs identically to the on-board relays.

OUTPUTS

Each output of the PD6080/81 may be assigned to a single analog input, Modbus PV, or math PV. The output will reflect the state of that assigned variable at all times during scanning.

Relay Outputs

The PROVu has up to four 3 A Form C relays (SPDT) with multiple power loss fail-safe options. Relays can be configured for proper protective action upon input loop break. Relay ON and OFF delay times are user adjustable. Up to eight front panel indicators show alarm and/or relay state. All relays can be configured for 0-100% deadband.

Relay Operation/Configuration

There are powerful relay functions that can be configured in the PROVu PD6080/81, including:

- Automatic reset only (non-latching)
- Automatic + manual reset at any time (non-latching)
- Latching (manual reset only)
- Latching with clear (manual reset only after alarm condition has cleared)
- Pump alternation control (automatic reset only)
- Sampling (activated for a user-specified time)
- User selectable fail-safe operation
- Relay action for loss (break) of 4-20 mA input signal
- Time delay (on and off), independent for each relay
- Manual control mode
- Interlock relay mode

Analog Output

The isolated analog retransmission signal scales for any 4 mA and 20 mA display value. While the output is nominally 4-20 mA, the signal will accurately accommodate under- and over-ranges from 1 to 23 mA.

Manual Output Control

Take control of any output with this feature. All relays can be forced ON or OFF, and the 4-20 mA output signal can be set to any value within its range. When the relays and 4-20 mA output are controlled manually, an LED labeled "M" is turned on and the associated Alarm LEDs (1-8) flash every 10 seconds indicating that the meter is in manual control mode.



Isolated Transmitter Power Supply

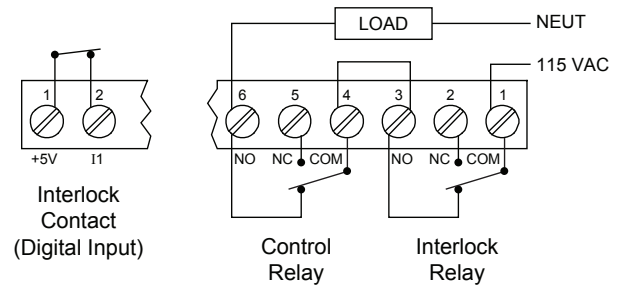
A powerful 24 V @ 200 mA power supply is a standard feature on the PROVu PD6080/81. It can be configured for 5, 10, or 24 V (default) by means of a simple internal jumper (see manual). An additional power supply (24 V @ 40 mA) is standard with the 4-20 mA output option.

Sampling Function (PV Triggered Timed Relay)

The sampling function allows the operator to set a set point for a "sampling" relay. When the PV reaches that set point, it will close that relay's contacts for a preset period of time (0.1 to 5999.9 seconds). An example of its use may be for beer/ale fermentation. When the batch reaches a certain pH, the relay contacts would close and alert someone or automatically take a sample of the batch. This function can be used whenever a timed relay output closure is required when the PV reaches a certain set point.

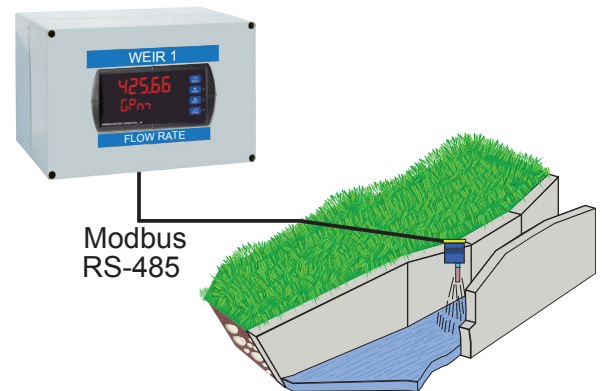
Interlock Relay(s)

This function allows a process to use one or more very low voltage input signals or simple switch contacts to control the state of one or more internal "interlock" relays. A violation (i.e. loss of input, open switch, or open circuit) forces one or more N/O interlock relay contacts to open. One input can be used in series with a number of interlock switches, or up to eight inputs can be required to force-on one (or more) internal interlock relays. Please see Application Note AN-1008 on our website for more information. Requires PDA1044 Digital I/O module or use of on-board digital input F4.

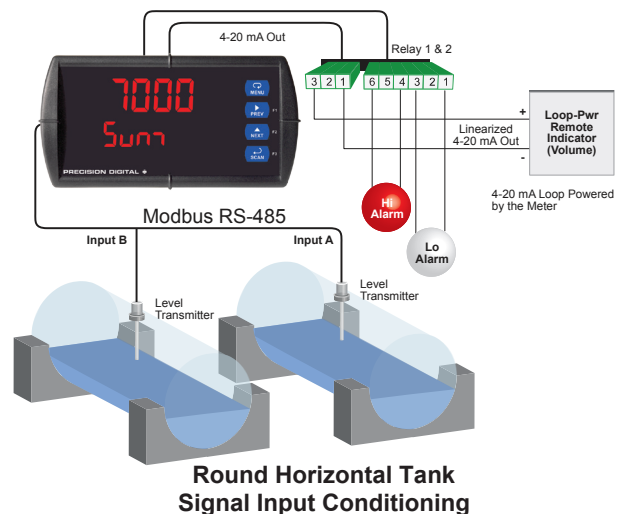


SIGNAL INPUT CONDITIONING

Non-linear input signals (i.e. weirs & flumes, differential pressure, etc.) can be linearized with the PROVu's simple to use built-in signal input conditioning, such as: square-root extractor, exponential linearizer, round horizontal tank linearizer, or the PROVu powerful general purpose 32-point linearizer (32 point for for PV1 & PV2 only - all other PVs use two linearization points).



Weir Flow Calculated Using Exponential Signal Input Conditioning



Round Horizontal Tank Signal Input Conditioning

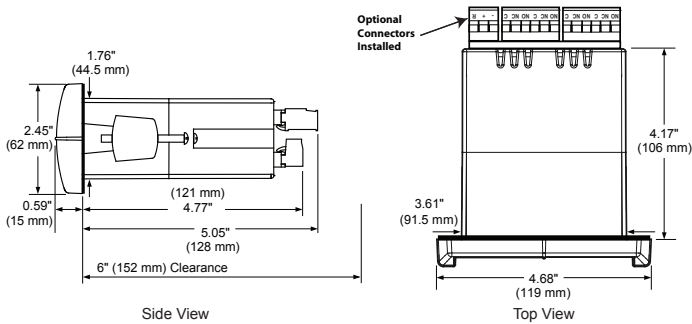
PD6080/PD6081 PROVu® Super Snooper Modbus® Scanners

NEMA 4 & 4X FIELD ENCLOSURES

Thermoplastic and stainless steel NEMA 4X, and painted steel NEMA 4 enclosures for up to 10 PROVu meters are available. Please visit our Enclosure Selection Utility at www.predig.com/esu for an easy way to find the right enclosure.



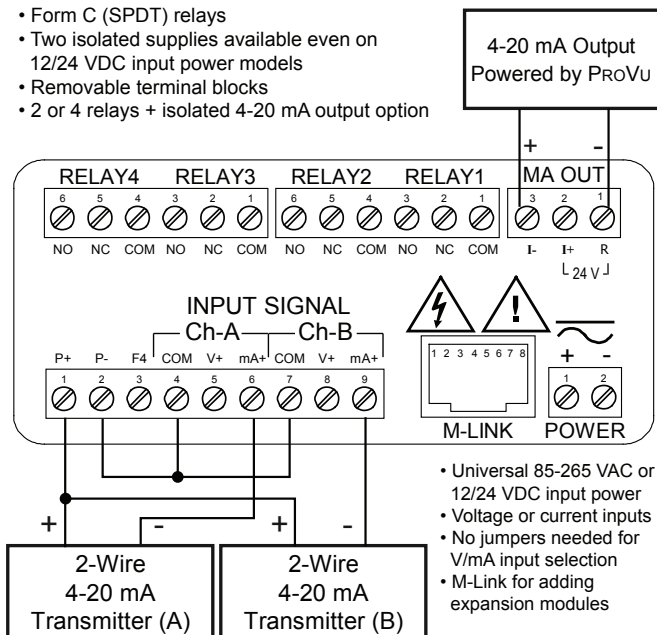
DIMENSIONS



- Notes:
1. Panel cutout required: 1.772" x 3.622" (45 mm x 92 mm)
 2. Panel thickness: 0.040 - 0.250" (1.0 mm - 6.4 mm)
 3. Mounting brackets lock in place for easy mounting
 4. Clearance: Allow 6" (152 mm) behind the panel

CONNECTIONS

- Form C (SPDT) relays
- Two isolated supplies available even on 12/24 VDC input power models
- Removable terminal blocks
- 2 or 4 relays + isolated 4-20 mA output option



- Universal 85-265 VAC or 12/24 VDC input power
- Voltage or current inputs
- No jumpers needed for V/mA input selection
- M-Link for adding expansion modules

SPECIFICATIONS

Except where noted all specifications apply to operation at +25°C.

General

Input/Output: Modbus RTU over RS-485, Two analog inputs (4-20 mA, ±10 V)
Display: Upper display: 0.60" (15 mm) high. Lower display: 0.46" (12 mm) high. Both are 6 digits (-99999 to 999999), red LEDs
Display Intensity: Eight user selectable intensity levels
Display Scan Rate: Master/Snooper: 1/second to once every 99.9 seconds. Slave: Dependent on master device (e.g. PLC)
Overrange: Display flashes 999999
Underrange: Display flashes -99999
Display Assignment: The top display may be assigned to PV (process values), Ch C (math channel), PV & units, tag & PV, tag-PV-units, C & units, tag-C-unit, Set point 1-8, max/min PV, max/min C. The bottom display may be assigned to all of the above, tag, or off. The tag and units are displayed alternately for 2 sec, when selected. Different tags & PVs may be selected to display on the top and bottom displays at the same time.
Front Panel: NEMA 4X, IP65

Programming Methods: Four front panel buttons, digital inputs, PC and ScanView software, Modbus registers, or cloning using Copy function.
F4 Digital Input Contacts: 3.3 VDC on contact. Connect normally open contacts across F4 to COM.
F4 Digital Input Logic Levels: Logic High: 3 to 5 VDC
Noise filter: Programmable from 2 to 199 (0 will disable filter)
Filter Bypass: Programmable from 0.1 to 99.9% of calibrated span
Recalibration: All ranges are calibrated at the factory. Recalibration is recommended at least every 12 months.
Max/Min Display: Max (Peak) / min (Valley) readings reached by the process are stored until reset by the user or until power to the meter is cycled.
Password: Three programmable passwords restrict modification of programmed settings.

Non-Volatile Memory: All programmed settings are stored in non-volatile memory for a minimum of ten years if power is lost.
Power Options: 85-265 VAC 50/60 Hz, 90-265 VDC, 20 W max, or jumper selectable 12/24 VDC ±10%, 15 W max.
Fuse: Required external fuse: UL Recognized, 5 A max, slow blow; up to 6 meters may share one 5 A fuse.

Isolated Transmitter Power Supply: Terminals P+ & P-: 24 VDC ± 10%. 12/24 VDC powered models selectable for 24, 10, or 5 VDC supply (internal jumper J4).
PROVu Series (PD6080):
 85-265 VAC models rated @ 200 mA max, 12/24 VDC powered models rated @ 100 mA max, @ 50 mA max for 5 or 10 VDC supply.
ProtEX-MAX (PD8 Series):
 All models transmitter supply rated @ 25mA max.

Normal Mode Rejection: Greater than 60 dB at 50/60 Hz
Isolation: 4 kV input/output-to-power line. 500 V input-to-output or output-to-P+ supply.
Overvoltage Category: Installation Overvoltage Category II: Local level with smaller transient overvoltages than Installation Overvoltage Category III.
Environmental: PROVu Series (PD6080):
 Operating temperature range: -40 to 65°C
 Storage temperature range: -40 to 85°C
 Relative humidity: 0 to 90% non-condensing
ProtEX-MAX (PD8 Series):
 T6 Class operating temperature range Ta = -40 to 60°C
 T5 Class operating temperature range Ta = -40 to 65°C
 See LIM8 ProtEX-MAX instruction manual for additional details.

Max Power Dissipation: PD8 Series: Maximum power dissipation limited to 15.1 W. See PD8 instruction manual for additional details.
Connections: Removable screw terminal blocks accept 12 to 22 AWG wire, RJ45 for external relays, digital I/O, and serial communication adapters.
Enclosure: 1/8 DIN, high impact plastic, UL 94V-0, color: black
Mounting: 1/8 DIN panel cutout required: 3.622" x 1.772" (92 mm x 45 mm). Two panel mounting bracket assemblies are provided.
Tightening Torque: Screw terminal connectors: 5 lb-in (0.56 Nm)
Overall Dimensions: 4.68" x 2.45" x 5.64" (119 mm x 62 mm x 143 mm) (W x H x D)
Weight: 9.5 oz (269 g)
UL File Number: UL & c-UL Listed. E160849; 508 Industrial Control Equipment.
Warranty: 3 years parts & labor

Modbus Serial Communications

Protocol: Modbus RTU

Meter Address/Scanner ID: 1 - 247, 256-259 (for Volts and mA).

Baud Rate: 300 - 19,200 bps

Transmit Time Delay: Programmable between 0 and 199 ms

Data: 8 bit (1 start bit, 1 or 2 stop bits)

Parity: Even, odd, or none with 1 or 2 stop bits

Byte-to-Byte Timeout: 0.01 - 2.54 seconds

Turn Around Delay: Less than 2 ms (fixed)

Operating Modes: MASTER: Processes data read from Modbus RTU slave devices. It polls up to 16 process variables from 1 to 16 slave devices. The Master is capable of scanning the selected PVs, scale the data, trigger relays, perform math operations, and drive the analog outputs. SNOOPER: Listens to the Modbus traffic and picks up a specific register or registers being polled by a master device from a specific slave device and processes the data being read. The Snooper mode handles the data the same way as the Master.

SLAVE: Processes data sent to it from a Modbus RTU master device.

PV Number: PV1–PV16 Enable or disable the process variables to be polled by the Master.

Slave ID: Assign the slave ID or address (1-247, 256-259 for mA or volts inputs) containing the process variables to be displayed by the selected PV.

Function Code: Select which Modbus function code (03, 04, or 65) to use in reading the slave device.

Register Number: 5 digit: 30001-39999, 40001-49999, or 1-65,536
6 digit: 300001-365536 or 400001-465536 (Function Code 65 N/A here)
Specifies which register(s) to read in the slave device. Range is dependent on Function Code selection (65, 04, or 03) and digits selection (5 or 6).

Data Type: Select the data format that the slave device uses. Select between Short integer (2 byte), Long integer (4 byte), or floating point (4 byte), Signed or Unsigned (integer only) and byte order: 1234, 4321, 2143, or 3412 (big-endian vs. little-endian, or swapped).

Poll Time: 1.0 to 99.9 sec. Time between read-commands (Master mode).

Slave Response Timeout: 0.0 to 99.9 seconds: Time allowed for the slave to respond before the scanner generates a communication break condition. The master polls the slave 3 times before starting the response timeout timer. Slave/Snooper mode: Time the scanner will wait for new data before going into break condition. Slave mode: Programming 0 disables the timeout; the last value received will be displayed indefinitely.

Communication Breakdown: Displays “b-rE-RH” after the Master has polled the slave device 3 times and the response timeout has elapsed. The Snooper and Slave modes go into break condition after no new data is received within the response timeout window. Relays can be programmed to go on, off, or ignore the break condition. The analog outputs can be setup to generate a fixed mA current when a break condition is detected.

Programmable Constants: Constant P (Adder): -99999 to 999999, default: 0.000; Constant F (Factor): 0.00001 to 999999, default: 1.000

Math Functions: Addition, difference, absolute difference, average, multiplication, division, max of A or B, min of A or B, draw, weighted average, ratio, concentration. See instruction manual for details.

Tag & Units: 6-character, independent tag and units for each PV and math channel.

PV Format: PD6080 default: Decimal format. PD6081 default: FT & IN, 1/8th or 1/16th; decimal format may be selected for bottom display indication.

Display Decimal Point: Up to five decimal places or none: *d.ddddd, dd.dddd, ddd.ddd, dddd.dd, ddddd.d, or dddddd*

Float Decimal Point: Select the number of decimals to use for the floating point data expected from the slave or master device (this is independent from the display decimal point selection).

PV & Math Scaling: All PVs and math channels may be scaled to represent the input data in any engineering unit.

Example: Level transmitter = 999.999 inches; to display in Ft-In-1/16th scale input 2 to display 83 Ft – 4 In – 0/16th.

Scan Mode: Automatic: 1.0 to 99.9 seconds.

Manual: Front panel or digital inputs

Go on alarm: Continues scanning after an alarm is detected

Stop on alarm: Goes to the alarmed PV and stops scanning; press Scan to resume scanning.

Note: Refer to the PROVu® Modbus Register Tables located at www.predig.com for details.

Relays

Rating: 2 or 4 SPDT (Form C) internal and/or 4 SPST (Form A) external; rated 3 A @ 30 VDC and 125/250 VAC resistive load; 1/14 HP (≈ 50 W) @ 125/250 VAC for inductive loads.

Noise Suppression: Noise suppression is recommended for each relay contact switching inductive loads.

Electrical Noise Suppression: A suppressor (snubber) should be connected to each relay contact switching inductive loads to prevent disruption to the microprocessor's operation. Recommended suppressor value: 0.01 μF/470 Ω, 250 VAC (PDX6901).

Deadband: 0-100% of span, user programmable

High or Low Alarm: User may program any alarm for high or low trip point. Unused alarm LEDs and relays may be disabled (turned off).

Relay Operation: automatic (non-latching), latching (requires manual acknowledge), sampling (based on time), pump alternation control (2 to 8 relays), Off (disable unused relays and enable interlock feature, manual on/off control mode).

Relay Reset: User selectable via front panel buttons, digital inputs, or PC.

1. Automatic reset only (non-latching), when input passes the reset point.

2. Automatic + manual reset at any time (non-latching).

3. Manual reset only, at any time (latching).

4. Manual reset only after alarm condition has cleared (latching).

Time Delay: 0 to 999.9 seconds, on & off relay time delays.

Programmable and independent for each relay.

Fail-Safe Operation: Programmable and independent for each relay.

Auto Initialization: When power is applied to the scanner, relays will reflect the state of the input to the scanner.

Isolated 4-20 mA Transmitter Output

Output Source: Process Variable 1-16, math channels C1-C4, set points 1-8, or manual control mode

Scaling Range: 1.000 to 23.000 mA for any display range

Calibration: Factory calibrated: 4.000 to 20.000 = 4-20 mA output

Analog Output Programming: 23.000 mA maximum for all parameters: Overrange, underrange, max, min, and break

Communications Break: Programmable mA output when a slave device does not reply within the response timeout

Accuracy: ± 0.1% of span ± 0.004 mA

Temperature Drift: 0.4 μA/°C max from 0 to 65°C ambient, 0.8 μA/°C max from -40 to 0°C ambient

Isolated Transmitter Power Supply: Terminals I+ & R: 24 VDC ± 10% . May be used to power the 4-20 mA output or other devices.

PROVu Series (PD6080/81): All models rated @ 40 mA max.

ProtEX-MAX (PD8 Series): All models @ 25 mA max.

External Loop Power Supply: 35 VDC maximum

Output Loop Resistance:

Power supply	Minimum	Maximum
24 VDC	10 Ω	700 Ω
35 VDC (external)	100 Ω	1200 Ω

Dual Process Input

Two Inputs: Two analog inputs, each separately field selectable: 0-20 mA, 4-20 mA; ±10 V (0-5, 1-5, 0-10 V)

PV Analog Channel ID: Ch-A mA: Assign PV to ID 256 or Ch-A volt: 257; Ch-B mA: Assign PV to ID 258 or Ch-B volt: 259

Accuracy: ±0.03% of calibrated span ±1 count, square root & programmable exponent accuracy range: 10-100% of calibrated span

Temperature Drift: 0.005% of calibrated span/±C max from 0 to 65°C ambient, 0.01% of calibrated span/°C max from -40 to 0°C ambient

Signal Input Conditioning: Linear, square root, programmable exponent, or round horizontal tank volume calculation

Multi-Point Linearization: 2 to 32 points for PV1 and PV2

Programmable Exponent: 1.0001 to 2.9999

Low-Flow Cutoff: 0-999999 (0 disables cutoff function) for PV1 and PV2

Input Impedance: Voltage ranges: greater than 500 kΩ

Current ranges: 50 - 100 Ω (depending on resettable fuse impedance)

Input Overload: Current input protected by resettable fuse, 30 VDC max. Fuse resets automatically after fault is removed.

Calibration Range: Input Range	Minimum Span Input 1 & Input 2
10 Ω	700 Ω
100 Ω	1200 Ω

PD6080/PD6081 ProVu® Super Snooper Modbus® Scanners

ORDERING INFORMATION

ProVu® PD6080 Decimal Modbus Scanner Models		
85-265 VAC Model	12/24 VDC Model	Options Installed
PD6080-6H0	PD6080-7H0	None
PD6080-6H2	PD6080-7H2	2 Relays
PD6080-6H3	PD6080-7H3	4-20 mA Output
PD6080-6H4	PD6080-7H4	4 Relays
PD6080-6H5	PD6080-7H5	2 Relays & 4-20 mA Output
PD6080-6H7	PD6080-7H7	4 Relays & 4-20 mA Output

Note: 24 V Transmitter power supply standard on all models.

ProVu® PD6081 Feet & Inches Modbus Scanner Models		
85-265 VAC Model	12/24 VDC Model	Options Installed
PD6081-6H0	PD6081-7H0	None
PD6081-6H2	PD6081-7H2	2 Relays
PD6081-6H3	PD6081-7H3	4-20 mA Output
PD6081-6H4	PD6081-7H4	4 Relays
PD6081-6H5	PD6081-7H5	2 Relays & 4-20 mA Output
PD6081-6H7	PD6081-7H7	4 Relays & 4-20 mA Output

Note: 24 V Transmitter power supply standard on all models.



- Free Modbus Scanner Software
- Configure a Modbus Scanner
- Conveniently Monitor Critical Information
- Datalog from a PC
- And More!



Available for download at www.predig.com

PROTEX-MAX EXPLOSION-PROOF

All the proven features of the ProVu brought into your hazardous areas! Go to www.predig.com/pd8



PD8-6080
ProtEX-MAX Explosion-Proof Modbus Scanner

Disclaimer

The information contained in this document is subject to change without notice. Precision Digital Corporation makes no representations or warranties with respect to the contents hereof, and specifically disclaims any implied warranties of merchantability or fitness for a particular purpose.

©2013 Precision Digital Corporation. All rights reserved.

Accessories	
Model	Description
PDA1002	DIN Rail Mounting Kit for Two Expansion Modules
PDA1004	4-Relay Expansion Module
PDA1011	Dual 4-20 mA Output Module
PDA1044	4 Digital Inputs & 4 Digital Outputs Module
PDA1200	Meter Copy Cable
PDA7485-I	RS-232 to RS-422/485 Isolated Converter
PDA7485-N	RS-232 to RS-422/485 Non-Isolated Converter
PDA8008	USB Serial Adapter
PDA8485-I	USB to RS-422/485 Isolated Converter
PDA8485-N	USB to RS-422/485 Non-Isolated Converter
PDX6901	Suppressor (snubber): 0.01 µF/470 Ω, 250 VAC



PD6080/PD6081 come with PDA1485 Serial Adapter and serial cable included.

Your Local Distributor is:

INSTRUMENTS • CONTROLS • VALVES

CLICK TO VISIT OUR WEBSITE



ARCO
Engineering, Inc.
SINCE 1954
www.arcoengineering.com

3317 Gilmore Industrial Blvd.
Louisville, KY 40213

Ph: (502) 966-3134
Fx: (502) 966-3135

LDS6080_A 08/13