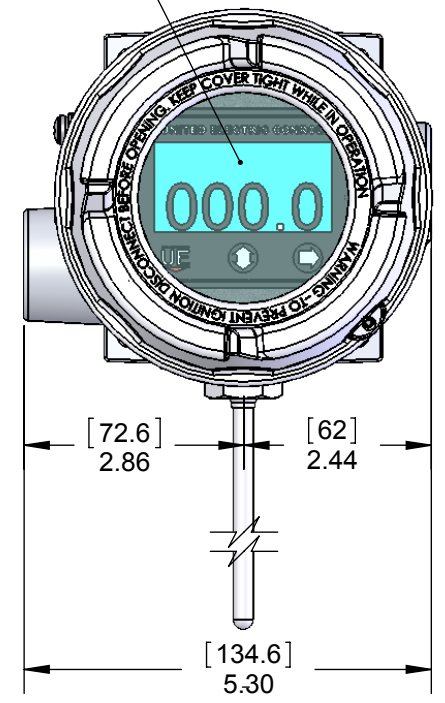


DISPLAY CAN BE ROTATED 180° BOTH DIRECTIONS



SPECIFICATIONS:

MECHANICAL:
 WETTED MATERIALS: 316 STAINLESS STEEL
 ENCLOSURE: TYPE 360 ALUMINUM; EPOXY POWDER COATED

ELECTRICAL:
 ELECTRICAL CONNECTION:
 TB1: 3 POSITION TERMINAL BLOCK, 22-14 AWG Max
 * TB3: 2 POSITION TERMINAL BLOCK, 26-14 AWG Max
 * TB2: 4 POSITION TERMINAL BLOCK, 26-14 AWG Max

SWITCH SPECS (Switch and IAW):
 TB1: 4-20mA LOOP OUTPUT, 20-40 VDC@21mA Max.
 (VOLTAGES ABOVE 25 VDC REQUIRE A SUITABLE SERIES LOAD RESISTOR. SEE I&M FOR DETAILS)
 * TB3: IAW OUTPUT, 30 VDC @ 20 mA Max.
 * TB2: SWITCH OUTPUTS (2), 0-280 VAC/DC @ 300 mA
 (DERATE 8% PER 10°C ABOVE 21°C)

APPROVALS:

cULus LISTED
 CLASS I, DIVISION 1, GROUPS A, B, C & D;
 CLASS II, DIVISION 1, GROUPS E, F & G; CLASS III
 CLASS I, ZONE 1, AEx d IIC T5;
 Ex d IIC T5;
 CLASS I, ZONE 2, AEx nA IIC T4;
 CLASS I, ZONE 2 EX nA IIC T4;
 -40°C ≤ Tamb ≤ 85°C (-40°F ≤ Tamb ≤ 185°F)
 ENCLOSURE TYPE 4X; IP66
 UL File: E226592

ATEX APPROVED
 II 2 G Ex db IIC T5 Gb;
 II 2 D Ex tb IIIC A21 T+90°C Db;
 IP66
 -40°C ≤ Tamb ≤ 85°C (-40°F ≤ Tamb ≤ 185°F)
 DEMKO 09 ATEX 0813748X

II 3 G Ex nA IIC T4 Gc
 DEMKO 15 ATEX 1483

APPROVALS:

IECEX APPROVED
 Ex db IIC T5 Gb;
 Ex tb IIIC T+90°C Db;
 IP66
 -40°C ≤ Tamb ≤ 85°C (-40°F ≤ Tamb ≤ 185°F)
 IECEX UL 08.0017X

Ex nA IIC T4 Gc
 IECEX UL 08.0017X

| MODEL TLX | TEMPERATURE RANGE | SHEATH LENGTH | |
|-----------|-------------------------------|---------------|--------|
| | | INCHES | [cm] |
| TL1 | -40 TO 450°F/ -40 TO 232°C | 4" | [10.1] |
| TL2 | -40 TO 450°F/ -40 TO 232°C | 6" | [15.2] |
| TL3 | -40 TO 450°F/ -40 TO 232°C | 10" | [25.4] |

INSTRUMENTS • CONTROLS • VALVES

CLICK TO VISIT OUR WEBSITE

ARCO Engineering, Inc. SINCE 1954
 www.arcoengineering.com

3317 Gilmore Industrial Blvd.
 Louisville, KY 40213

Ph: (502) 966-3134
 Fx: (502) 966-3135

| REV. | ECN# | DESCRIPTION | DATE | DRWN | APPD |
|------|-------|--|---------|------|------|
| C | E5644 | "TRANSMITTER" WAS "SWITCH" IN TITLE BLOCK. ADDED " * MODEL 1XTXSW ONLY " TO WIRING DIAGRAM, PG. 2 OF 2. | 10-9-15 | SR | RAM |
| B | E5632 | DELETED "CLASS 1, ZONE 1" FROM "Ex d IIC T5" IN cULus APPROVAL. ADDED "b" TO "Ex db" IN ATEX AND IECEX APPROVALS | 9-21-15 | SR | EM |
| A | E5620 | FIRST ISSUE. | 9-4-15 | RAM | RAM |

| | |
|---|--------------------|
| ORIGINAL DATE | 9-4-15 |
| DRWN | RAM |
| CHKD | SR |
| APPD | R. McCAREY |
| UNLESS OTHERWISE SPECIFIED DIMENSIONS ARE IN INCHES | |
| TOLERANCES ON FRACTIONS ±1/64 | |
| 2 PLACE DEC ±0.010 | 3 PLACE DEC ±0.005 |
| ANGLES ±1/2° | |
| DO NOT SCALE THIS DRAWING | |

TITLE

1XTXSW / 1XTX00 LOCAL WELDED TEMP. TRANSMITTER

SCALE 1:2.5

UE

UNITED ELECTRIC CONTROLS COMPANY
 WATERTOWN * MASSACHUSETTS

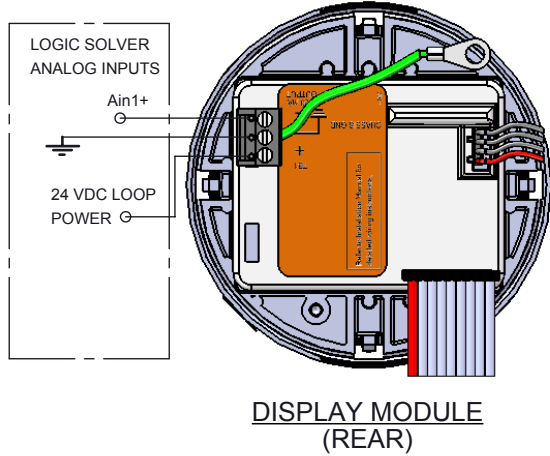
DWG NO Page 1 of 2

A-14025

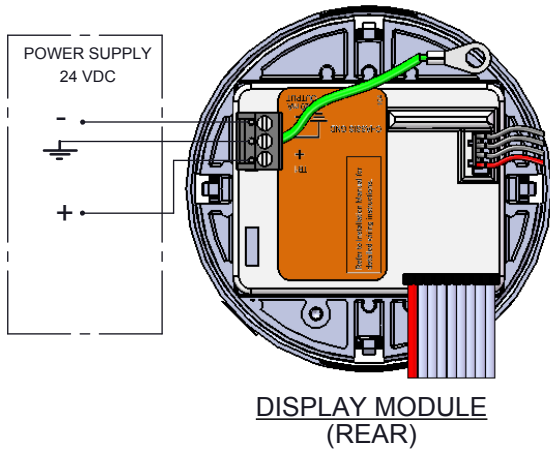
THIS DOCUMENT IS PROPRIETARY PROPERTY OF UNITED ELECTRIC CONTROLS. UNAUTHORIZED USE IS STRICTLY PROHIBITED.

POWER OPTIONS

POWERED BY 4-20mA LOOP(1XTXSW / 1TX00)

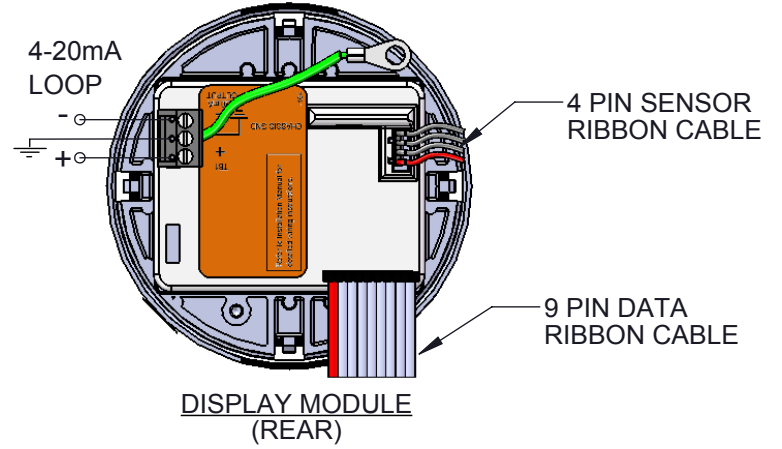


POWERED BY 24VDC POWER SUPPLY (1XTXSW ONLY)



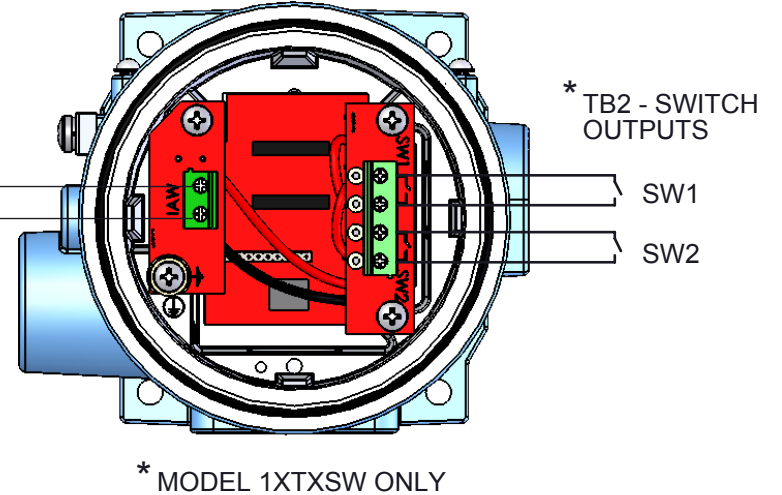
WIRING DIAGRAM

A-14025



* TB3 - IAW OUTPUT

TB3-2 +
TB3-1 -



| | |
|---------------|------------|
| ORIGINAL DATE | 9-4-15 |
| DRWN | RAM |
| CHKD | SR |
| APPD | R. McCAREY |

TITLE
1XTXSW /
1TX00
LOCAL WELDED
TEMP.
TRANSMITTER

UE
UNITED ELECTRIC
CONTROLS COMPANY
WATERTOWN * MASSACHUSETTS

| REV. | ECN# | DESCRIPTION | DATE | DRWN | APPD |
|------|-------|-----------------|---------|------|------|
| C | E5644 | SEE PG. 1 OF 2. | 10-9-15 | SR | RAM |
| B | E5632 | SEE PG. 1 OF 2. | 9-21-15 | SR | EM |
| A | E5620 | FIRST ISSUE. | 9-4-15 | RAM | RAM |

UNLESS OTHERWISE SPECIFIED
DIMENSIONS ARE IN INCHES
TOLERANCES ON FRACTIONS ±1/64
2 PLACE DEC 3 PLACE DEC ANGLES
±0.010 ±0.005 ±1/2°

DO NOT SCALE THIS DRAWING

SCALE 1:1

DWG NO Page 2 of 2

A-14025