



Capsule Pressure Gauges

Black-Painted Steel Case

Copper Alloy Wetted Parts

Low Pressure Series • Type 611.10

Pressure Gauges

Application

Fluid medium, gaseous or dry, which does not clog connection port or corrode copper alloy.

Example: low pressure pneumatic systems.

Sizes

2½" (63 mm)

Accuracy

± 1.5% of span (± 2.5% for 10" H2O range)

Ranges (All ranges not stocked)

2½": 10 "H2O to 240 "H2O (25 to 600 mbar) or other equivalent units of pressure or vacuum

Working Range

Steady: Full scale value

Fluctuating: 0.9 x full scale value

Operating Temperature

Ambient: -4°F to 140°F (-20°C to 60°C)

Media: max. 140°F (+60°C)

Temperature Error

Additional error when temperature changes from reference temperature of 68°F (20°C) ±0.4% for every 18°F (10°C) rising or falling. Percentage of span.

Standard Features

Connection

Material: copper alloy

Lower mount (LM)

Center back mount (CBM)

1/8" NPT or 1/4" NPT

Capsule Element

Material: copper alloy

Movement

Copper alloy, nickel-silver pinion gear and shaft. Zero adjustment screw on dial

Dial

White aluminum with black lettering

Pointer

Black aluminum (zero adjust on dial- remove window to access)

Case

Black steel

Weather Protection

Dust resistant (NEMA 2 / IP 32)

Standard Scales

in. H2O/mm H2O

oz.-sq. in./mm H2O

oz.-sq. in./in. H2O

PSI

Window

Snap-in acrylic window



INSTRUMENTS • CONTROLS • VALVES



Engineering, Inc.
SINCE 1954
www.arcoengineering.com

3317 Gilmore Industrial Blvd.
Louisville, KY 40213

Ph: (502) 966-3134
Fx: (502) 966-3135

Order Options (min. order may apply)

Front or rear flange

Brass threaded restrictor

U-Clamp steel zinc plated with stainless steel polished profile ring

Stainless steel case and ring

Safety glass and instrument glass window

Overpressure and underpressure protection

Cleaned for oxygen service

Medical specification

Special connections limited to wrench flat area

Nickel plated connection

Special case colors

Externally adjustable red mark pointer(set pointer)

Externally adjustable red drag pointer (max. hand)

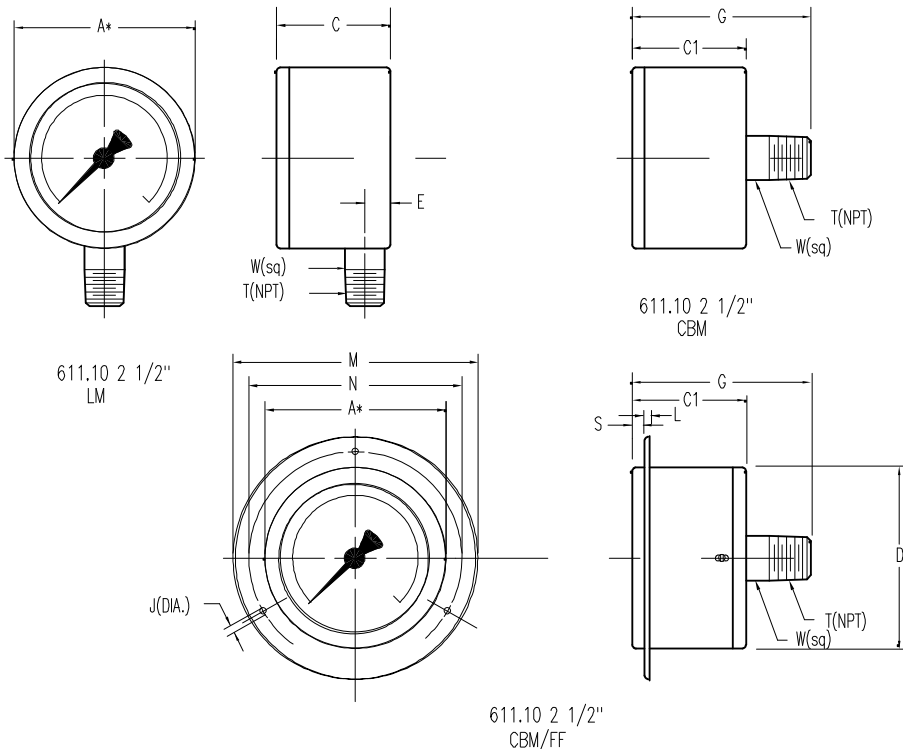
Custom dial layout

DIN standards

Other pressure scales available

APM611.10
(APM 06.01)

Dimensions:



A* NOMINAL SIZE																
TYPE	WEIGHT	KEY	A*	B	C	C1	D	E	G	J	L	M	N	S	T	W
611.10 2 1/2"	0.45 lbs.	mm	63	52	40	36.5	63	9.5	55.5	3.6	2	85	75	2	-	14
		in	2.5	2.05	1.58	1.44	2.48	0.37	2.19	0.14	0.08	3.35	2.95	0.08	1/4"	0.55

Recommended panel cut-out: D + 1mm

THE MEASURE OF
Total Performance™

Ordering Information:

State computer part number (if available) / type number / size / range / connection size and location / options required.

Specifications given in this price list represent the state of engineering at the time of printing. Modifications may take place and the specified materials may change without prior notice



WIKAI Instrument Corporation

1000 Wiegand Boulevard

Lawrenceville, Georgia 30043-5868

Tel: 770-513-8200 Fax: 770-338-5118

http://www.wika.com e-mail: info@wika.com