

ANDERSON GREENWOOD BLEED TEE

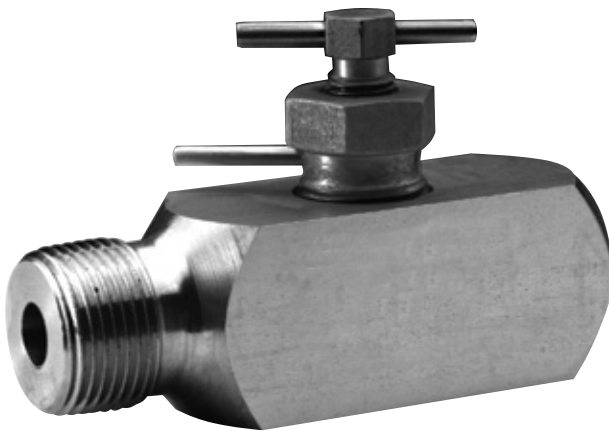
INSTRUMENTS • CONTROLS • VALVES

[CLICK TO VISIT OUR WEBSITE](#)

ARCO 3317 Gilmore Industrial Blvd.
Louisville, KY 40213

Engineering, Inc. Ph: (502) 966-3134
SINCE 1954 Fx: (502) 966-3135
www.arcoengineering.com

A single male inlet, triple female outlet piping tee



FEATURES

- Multiple outlets reduce piping/tubing leak points and permit a pressure gauge or other device to be positioned correctly regardless of tee orientation.
- Compact installation shortens moment arm, reducing weight and vibration factors. With stress limited, the chances of breakage and leaks are lowered greatly.
- Straight-through flow path provides high flow capacity, bi-directional flow and rodding capabilities.
- Optional bleed plug (as shown) can be assembled in one outlet to reduce pressure for instrument removal, facilitating maintenance.

GENERAL APPLICATION

Generally used with the process root valve to simplify downstream piping and reduce the number of potential leak points, the Bleed Tee can be used with any 1/2" or 3/4" valve in an instrument piping system and allows either vertical or horizontal pressure gauge mounting.

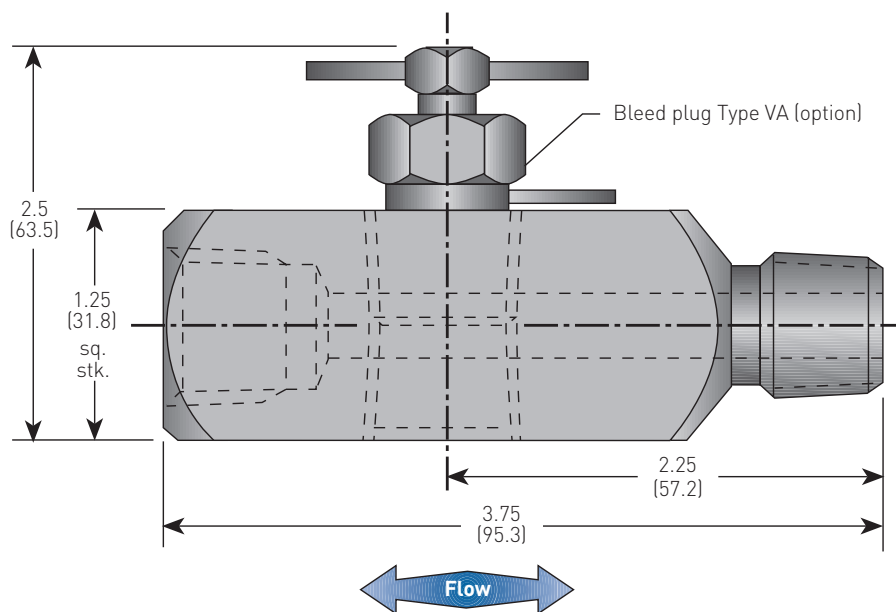
TECHNICAL DATA

Materials:	Carbon steel, stainless steel
Connections	
Inlet:	1/2", 3/4" (DN 15, 20)
Outlets:	1/2" (DN 15)
Pressure (max.):	6000 psig (414 barg)
Temperature (max.):	1000°F (538°C)

ANDERSON GREENWOOD BLEED TEE

SPECIFICATIONS

BLEED TEE DIMENSIONS, inches (mm)



STANDARD MATERIALS

Valve ^[1]	Body
CS ^[2]	A105 CS
316 SS	A479 316 SS

PRESSURE AND TEMPERATURE RATINGS

Bleed Tee body			
CS ^[2]	6000 psig at 200°F (414 barg at 93°C)	1500 psig at 850°F (103 barg at 454°C)	
316 SS	6000 psig at 200°F (414 barg at 93°C)	1500 psig at 1000°F (103 barg at 538°C)	

NOTES

1. Valve weight: 1.0 lb (.45 kg) each.
Orifice diameter of bleed tee
0.375-inch (9.5 mm).
Orifice diameter of bleed valve
0.125-inch (3.2 mm).
2. CS is zinc chromate plated to prevent corrosion.
3. Standard 1/2" NPT plug made from hex barstock.
Available in CS or 316 SS.

VA BLEED PLUG^[3] (OPTION)

The VA bleed plug provides an economical means to bleed process pressure.

STANDARD MATERIALS

Valve	Bleed plug	Bleed stem
CS	A108 CS	A581 303 SS
316 SS	A479 316 SS	A276 316 SS

PRESSURE AND TEMPERATURE RATINGS

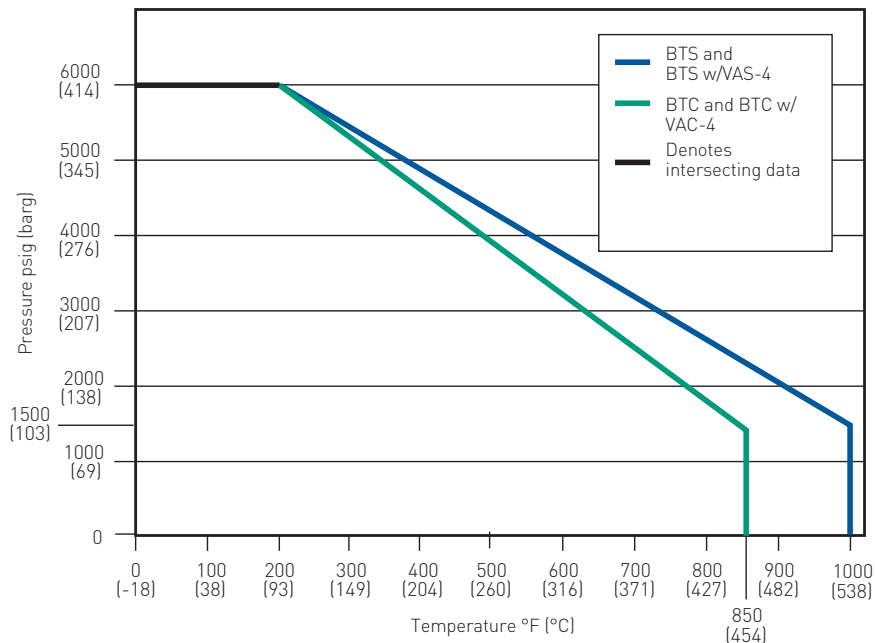
VA Bleed Plug (option)			
CS ^[2]	6000 psig at 200°F (414 barg at 93°C)	1500 psig at 850°F (103 barg at 454°C)	
316 SS	6000 psig at 200°F (414 barg at 93°C)	1500 psig at 1000°F (103 barg at 538°C)	



ANDERSON GREENWOOD BLEED TEE

SPECIFICATIONS

PRESSURE VS. TEMPERATURE



SELECTION GUIDE

Example: BT C 44 VAC-4

Body material

C CS, A105

S SS, A479-316

Connections (inlet/outlet)

44 1/2-inch MNPT x (3) 1/2-inch FNPT

46 3/4-inch MNPT x (3) 1/2-inch FNPT

Connection style

C Male socket weld

Options

VAC-4 1/2-inch CS bleed plug

VAS-4 1/2-inch SS bleed plug

SG NACE specification

HD Hydrotesting

INSTRUMENTS • CONTROLS • VALVES

CLICK TO VISIT OUR WEBSITE



ARCO
Engineering, Inc.
SINCE 1954
www.arcoengineering.com

**3317 Gilmore Industrial Blvd.
Louisville, KY 40213**

**Ph: (502) 966-3134
Fx: (502) 966-3135**

