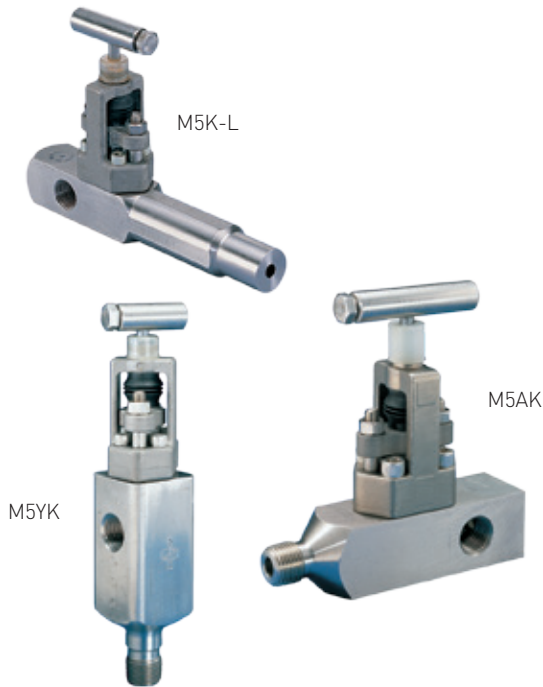


ANDERSON GREENWOOD OS&Y GAUGE VALVES

SERIES M5K/M5AK/M5YK

Root isolation valves with outside screw and yoke, bolted bonnet construction for pressures up to 6,000 psi (414 barg)



FEATURES

- True 4-bolt bonnet design provides easy access to the packing gland. Stem threads are completely isolated from the process.
- Protective stem bellows and cap protects against atmospheric contamination, increases valve life and helps contain stem lubricant, reducing thread galling.
- Compact design minimizes space requirements. Lower valve weight improves connection strength and reduces induced bending moments.
- Multi-port outlet means fewer fittings, fewer leak points and reduced installation cost.
- Standard CF8M investment cast yoke resists corrosion, increasing valve life.
- Single-piece yoke design eliminates stem binding.
- Widely compatible graphite or PTFE flange gasket ring minimizes bonnet-to-body gasket deterioration.
- Free-swivelling ball end stem design (M5K, M5YK) or non-rotating plug design (M5AK) provide bubble-tight valve closure without metal seat galling and low seating torque.
- Integral hard back seat (M5K, M5YK) protects against stem blowout and provides alternate sealing for longer packing life.
- Optional replaceable soft seat design (M5K, M5AK) provides bubble-tight seat with a fully roddable, bi-directional flow.

GENERAL APPLICATION

M5K series gauge valves are designed for use with gauge mountings and other pressure instruments in refineries and chemical plants. The M5YK can also be used as a root/primary isolation valve in differential pressure transmitter installations.

TECHNICAL DATA

Materials:	CS, SS and other exotic materials
Seats:	Metal, soft, Monel
Connections	
Inlet:	1/2", 3/4", 1" NPT or welded
Outlet:	1/2" NPT
Pressure (max.):	6000 psig (414 barg)
Temperature (max.):	1000°F (538°C)

ANDERSON GREENWOOD OS&Y GAUGE VALVES

SERIES M5K/M5AK/M5YK

PRODUCT OVERVIEW

M5K Gauge valve

The M5K gauge valve is a multi-ported root/primary instrument isolation valve, designed for use with gauge mountings and other pressure instruments in refineries and chemical plants. The M5K facilitates installation of multiple measurement devices without additional penetrations of the main piping.

The M5K is available in metal seat design with integral seat or with various replaceable, roddable soft seats (1/4" [6.4 mm] diameter orifice).

M5AK Gauge valve

The M5AK gauge valve is a multi-ported root/primary instrument isolation valve, designed for use with gauge mounting and other instrument ties in refineries and chemical plants. Additional penetrations of the main piping are not required.

The M5AK is available with a variety of replaceable, roddable, metal or soft seats, with 3/8" [9.5 mm] diameter orifice. The unique metal seat design offers bubble-tight shutoff with straight-through flow characteristics.

M5YK Gauge valve

The M5YK gauge valve is a versatile, dual outlet valve for use in gauge mounting or as root/primary isolation valve in differential pressure transmitter installations. In-line construction of body and OS&Y bonnet allows installation and replacement of valves in orifice taps without removal of bonnet assembly.

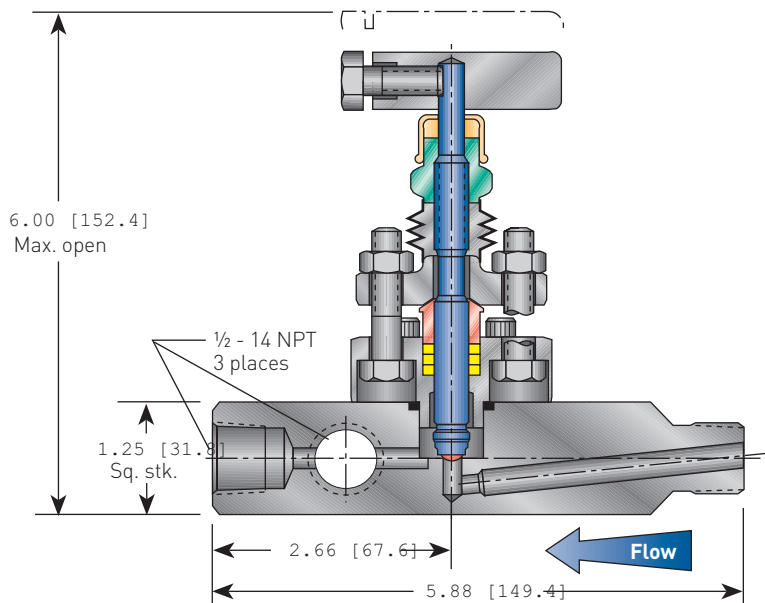
The valve is designed for safety, service and economy. The long-necked inlet provides room for insulation and the dual 1/2" NPT outlet ports provide an extra outlet for bleeder or sampling valves.

The M5YK is standard with 1/4" [6.4 mm] integral seat. Available with seat insert and stem ball of selected metals to match process requirements.

ANDERSON GREENWOOD OS&Y GAUGE VALVES

SERIES M5K

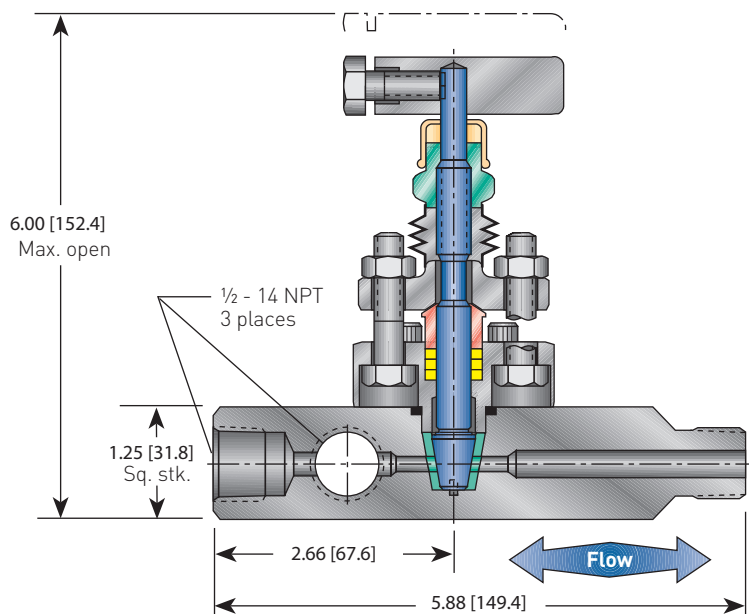
M5K METAL SEAT DIMENSIONS, INCHES [mm]



NOTES

1. Approximate valve weight:
Standard 3.5 lb [1.6 kg]
Long 4.0 lb [1.8 kg]
3/16-inch [4.8 mm] diameter orifice
Valve C_v 0.52 maximum
2. For Hastelloy® and SG3 call factory for dimensions and weights.

M5K SOFT SEAT DIMENSIONS, INCHES [mm]



NOTES

1. Approximate valve weight:
Standard 3.5 lb [1.6 kg]
Long 4.0 lb [1.8 kg]
1/4-inch [6.4 mm] diameter orifice
Valve C_v 1.4 maximum
2. For Hastelloy® and SG3 call factory for dimensions and weights.

ANDERSON GREENWOOD OS&Y GAUGE VALVES

SERIES M5K

M5K STANDARD MATERIALS

Metal seat					
Valve	Body	Stem	Ball	Yoke	Bolt
CS ^[1]	A105 CS	A581-303 SS	17-4 PH	A351-CF8M	A286
316 SS	A479-316 SS	A276-316 SS	A276-316 SS	A351-CF8M	A286
316L SS	A479-316L SS	A276-316 SS	A276-316 SS	A351-CF8M	A286
SG ^[2]	A479-316 SS	Monel [®] 400	Monel [®] K500	A351-CF8M	A286
SG3 ^[4]	Hastelloy [®] C-276	Hastelloy [®] C-276	Elgiloy [®]	A494-CW12MW	A286

Soft seat					
Valve	Body	Stem	Yoke	Bolt	Seat
CS ^[1]	A105 CS	A582-303 SS	A351-CF8M	A286	Delrin [®]
316 SS	A479-316 SS	A276-316 SS	A351-CF8M	A286	Delrin [®]
316L SS	A479-316L SS	A276-316 SS	A351-CF8M	A286	Delrin [®]
SG ^[2]	A479-316 SS	Monel [®] R405	A351-CF8M	A286	Delrin [®]
SG3 ^[4]	Hastelloy [®] C-276	Hastelloy [®] C-276	A494-CW12MW	A286	Delrin [®]

M5K PRESSURE AND TEMPERATURE RATINGS

Metal seated		
Valve	Packing	Pressure and temperature rating
CS ^[1]	GRAFOIL [®]	6000 psig at 200°F [414 barg at 93°C] 1500 psig at 850°F [103 barg at 454°C]
316 SS, SG ^[2] , SG3 ^[4]	GRAFOIL [®]	6000 psig at 200°F [414 barg at 93°C] 1500 psig at 1000°F [103 barg at 538°C]
316L SS	GRAFOIL [®]	5000 psig at 200°F [345 barg at 93°C] 1500 psig at 850°F [103 barg at 454°C]
CS, 316 SS, SG3 ^[4]	PTFE	6000 psig at 200°F [414 barg at 66°C] 4000 psig at 500°F [276 barg at 260°C]

Soft seated			
Valve	Packing	Seat material	Pressure and temperature rating
CS ^[1]	PTFE or GRAFOIL [®]	Delrin [®] and PCTFE ^[3]	6000 psig at 200°F [414 barg at 93°C]
316 SS	PTFE or GRAFOIL [®]	PEEK	6000 psig at 200°F [414 barg at 93°C] 2000 psig at 400°F [138 barg at 93°C]
316L SS	PTFE or GRAFOIL [®]	PTFE	1000 psig at 150°F [69 barg at 66°C] 200 psig at 500°F [14 barg at 260°C]
SG3 ^[4]	PTFE or GRAFOIL [®]	PEEK	6000 psig at 200°F [414 barg at 93°C] 2000 psig at 400°F [138 barg at 93°C]
SG3 ^[4]	PTFE or GRAFOIL [®]	PTFE	1000 psig at 150°F [69 barg at 66°C] 200 psig at 500°F [14 barg at 260°C]

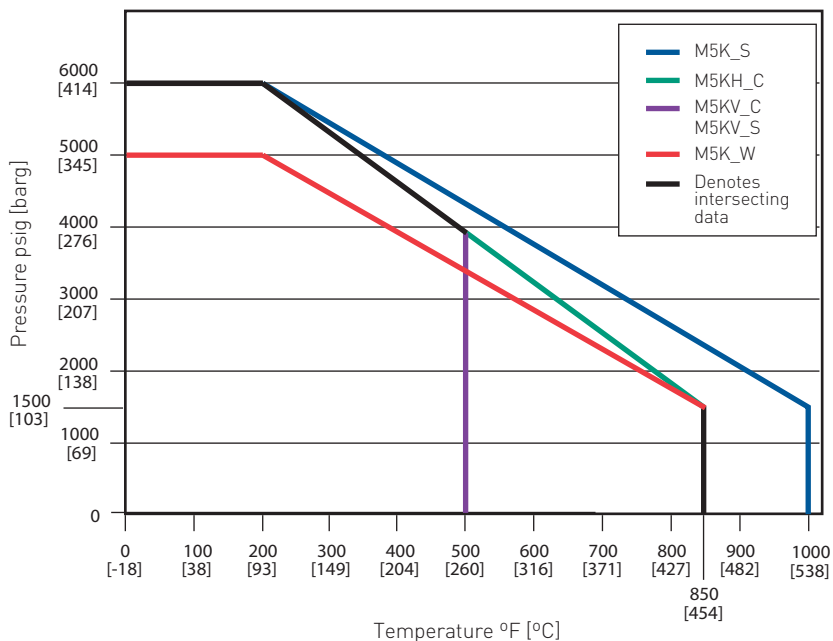
NOTES

- CS is zinc chromate plated to prevent corrosion (except male plain end is black oxide coated).
- SG (Sour Gas) meets the requirements of NACE MR0175/ISO 15156 (for chloride conditions < 50 mg/l (ppm)) and NACE MR0103-2005.
- PCTFE (Polychlorotrifluoroethylene) is the exact equivalent of Kel-F[®].
- SG3 (Sour Gas) meets the requirements of NACE MR0175/ISO 15156 (for chloride conditions > 50 mg/l (ppm)). If accessories are added, consult factory for materials.
- Temperature (min.) -70°F (-57°C).

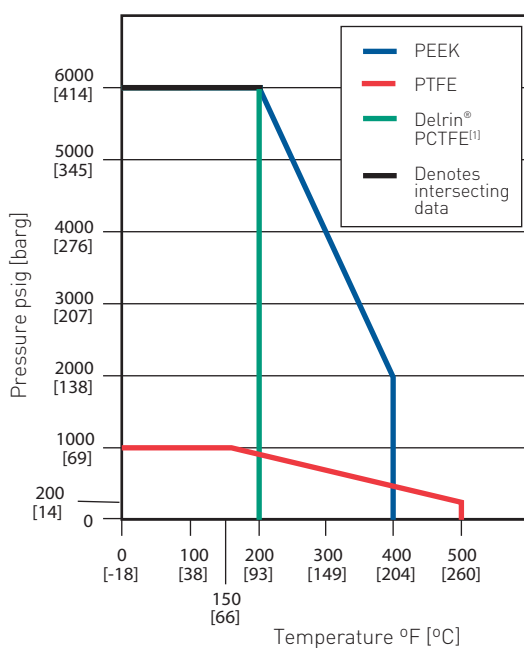
ANDERSON GREENWOOD OS&Y GAUGE VALVES

SERIES M5K

PRESSURE VS. TEMPERATURE - M5K METAL SEAT



PRESSURE VS. TEMPERATURE - M5K SOFT SEAT



NOTE

1. PCTFE (Polychlorotrifluoroethylene) is the exact equivalent of Kel-F®.

PRESSURE AND TEMPERATURE

Max. temperature	CS	1500 psig at 850°F [103 barg at 454°C]
	SS	1500 psig at 1000°F [103 barg at 538°C]
Max. pressure	316L SS	5000 psig at 200°F [345 barg at 93°C]

NOTE

Temperature (min.) -70°F [-57°C].

ANDERSON GREENWOOD OS&Y GAUGE VALVES

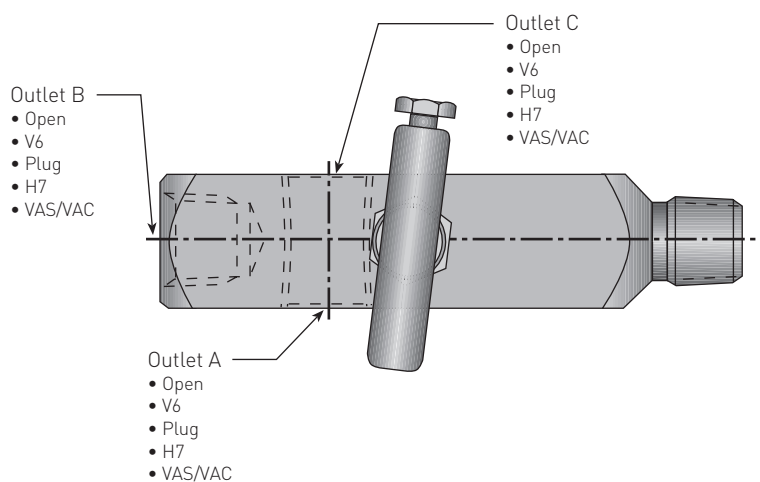
SERIES M5K

SELECTION GUIDE - M5K METAL SEAT

Example:	M5K	H	I	S	-44LC	-SG
Packing						
H	GRAFOIL®					
V	PTFE					
Seat⁽¹⁾						
I	Integral (standard)					
Body material⁽²⁾						
C	CS, A105 ⁽³⁾					
S	SS, A479-316					
W	SS, A479-316L					
Connections (inlet/outlet)⁽⁴⁾						
44	1/2-inch MNPT x (3) 1/2-inch FNPT					
46	3/4-inch MNPT x (3) 1/2-inch FNPT					
Connection style						
C	Male plain end (CS is black oxide coated)					
Length						
L	Long body extension (4-inch insulation)					
Options						
HD	Hydrostatic testing (100%) (MSS-SP-61)					
SG	[Sour Gas] NACE edition 2003 /MR0103					
SG3	[Sour Gas] NACE MR0175/ISO 15156-3 (latest edition)					
SS	All 316 SS construction					

NOTES

1. 3/16 inch [4.8 mm] diameter orifice.
2. Call factory for optional materials.
3. CS is zinc chromate plated to prevent corrosion (except male plain end is black oxide coated).
4. Call factory for optional connection sizes.



ANDERSON GREENWOOD OS&Y GAUGE VALVES

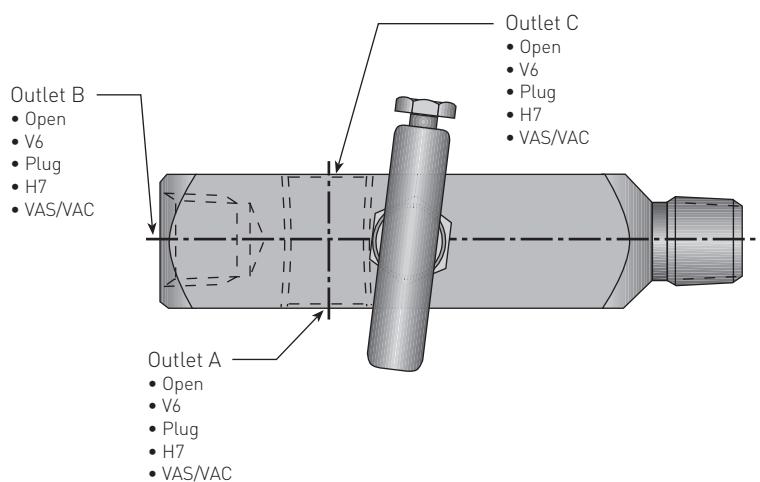
SERIES M5K

SELECTION GUIDE - M5K SOFT SEAT

Example:	M5K	V	D	S	-44LC	-SG
Packing						
H	GRAFOIL®					
V	PTFE					
Seat^[1]						
V	PTFE					
K	PCTFE ^[2]					
E	PEEK					
D	Delrin®					
Body material^[3]						
C	CS, A105 ^[4]					
S	SS, A479-316					
W	SS, A479-316L					
Connections (inlet/outlet)^[5]						
44	1/2-inch MNPT x (3) 1/2-inch FNPT					
46	3/4-inch MNPT x (3) 1/2-inch FNPT					
Connection style						
C	Male plain end (CS is black oxide coated)					
Length						
L	Long body extension (4-inch insulation)					
Options						
HD	Hydrostatic testing (100%) (MSS-SP-61)					
SG	(Sour Gas) NACE edition 2003 /MR0103					
SG3	(Sour Gas) NACE MR0175/ISO 15156-3 (latest edition)					
SS	All 316 SS construction					

NOTES

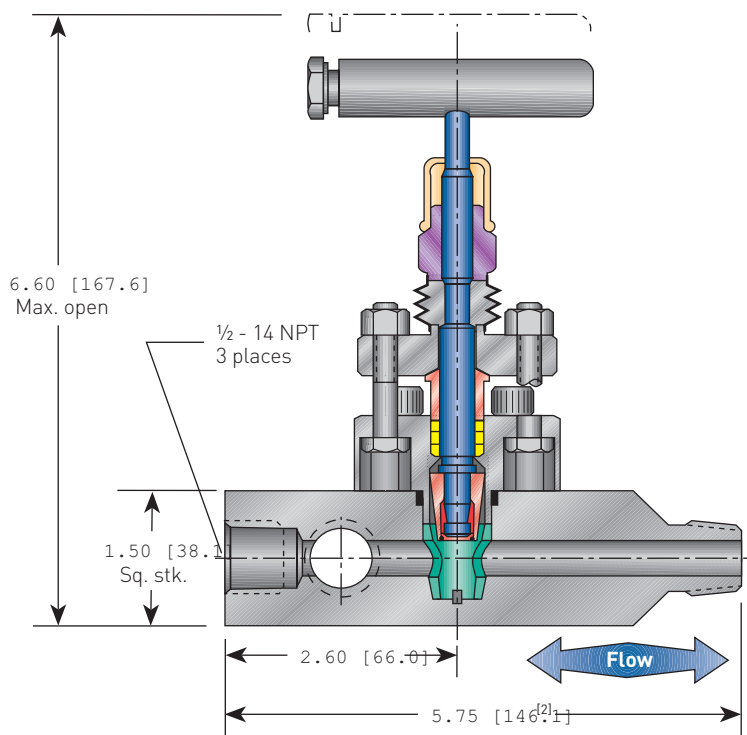
- 1/4-inch [6.4 mm] diameter orifice.
- PCTFE (Polychlorotrifluoroethylene) is the exact equivalent of Kel-F®.
- Call factory for optional materials.
- CS is zinc chromate plated to prevent corrosion (except Male plain end is black oxide coated).
- Call factory for optional connection sizes.



ANDERSON GREENWOOD OS&Y GAUGE VALVES

SERIES M5AK

M5AK METAL AND SOFT SEAT DIMENSIONS, INCHES [mm]



NOTES

- Approximate valve weight:
Standard 4.0 lb [1.8 kg]
Long 4.5 lb [2.0 kg]
3/8-inch [9.5] diameter orifice
Valve C_v 3.0 maximum
- Long body length 7.75-inch [196.8 mm]
4-inch insulation

STANDARD MATERIALS

Metal seat				
Valve	Body	Stem	Yoke	Bolt
CS ^[1]	A105 CS	A581-303 SS	A351-CF8M	A574
316 SS	A479-316 SS	A276-316 SS	A351-CF8M	A574
316L SS	A479-316L SS	A276-316 SS	A351-CF8M	A574
SG ^[2]	A479-316 SS	Monel [®] R405	A351-CF8M	A574

Soft seat					
Valve	Body	Stem	Yoke	Bolt	Seat ^[3]
CS ^[1]	A105 CS	A581-303 SS	A351-CF8M	A574	Delrin [®]
316 SS	A479-316 SS	A276-316 SS	A351-CF8M	A574	Delrin [®]
316L SS	A479-316L SS	A276-316 SS	A351-CF8M	A574	Delrin [®]
SG ^[2]	A479-316 SS	Monel [®] R405	A351-CF8M	A574	Delrin [®]

NOTES

- CS is zinc chromate plated to prevent corrosion (except male plain end is black oxide coated).
- SG (Sour Gas) meets the requirements of NACE MR0175/ISO 15156 (for chloride conditions < 50 mg/l (ppm)) and NACE MR0103-2005.
- PTFE, PCTFE and PEEK are available.

ANDERSON GREENWOOD OS&Y GAUGE VALVES

SERIES M5AK

M5AK PRESSURE AND TEMPERATURE RATINGS

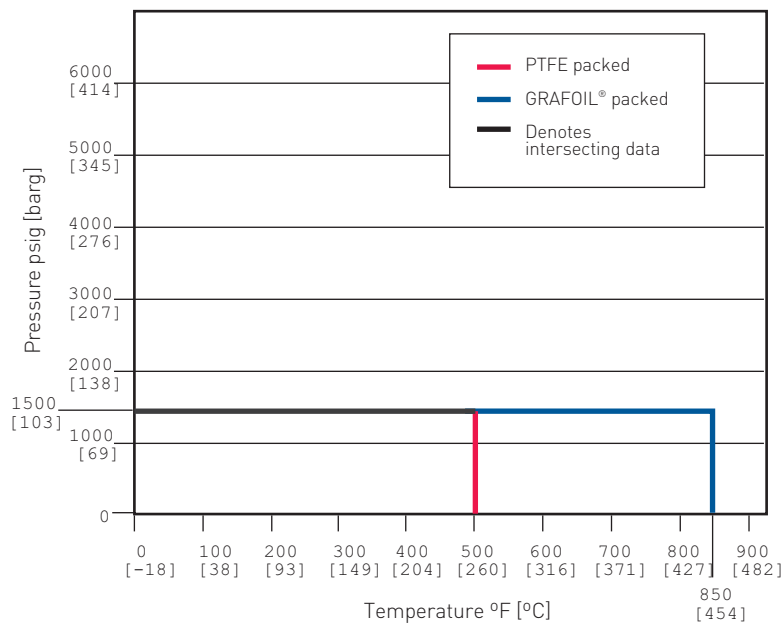
Metal seat		
Valve	PTFE packed	GRAFOIL® packed
CS ^[1]	1500 psig at 500°F [103 barg at 260°C]	1500 psig at 850°F [103 barg at 454°C]
316 SS	1500 psig at 500°F [103 barg at 260°C]	1500 psig at 850°F [103 barg at 454°C]
316L SS	1500 psig at 500°F [103 barg at 260°C]	1500 psig at 850°F [103 barg at 454°C]
SG ^[2]	1500 psig at 500°F [103 barg at 260°C]	1500 psig at 850°F [103 barg at 454°C]

Soft seat				
Valve	Delrin®	PCTFE ^[3]	PEEK	PTFE
CS ^[1]	6000 psig at 200°F [414 barg at 93°C]	5000 psig at 200°F [345 barg at 93°C]	6000 psig at 200°F [414 barg at 93°C]	1000 psig at 150°F [69 barg at 66°C]
316 SS, SG ^[2]			2000 psig at 400°F [138 barg at 204°C]	200 psig at 500°F [14 barg at 260°C]
316L SS	5000 psig at 200°F [345 barg at 93°C]	5000 psig at 200°F [345 barg at 93°C]	5000 psig at 200°F [345 barg at 93°C] 2000 psig at 400°F [138 barg at 204°C]	1000 psig at 150°F [69 barg at 66°C] 200 psig at 500°F [14 barg at 260°C]

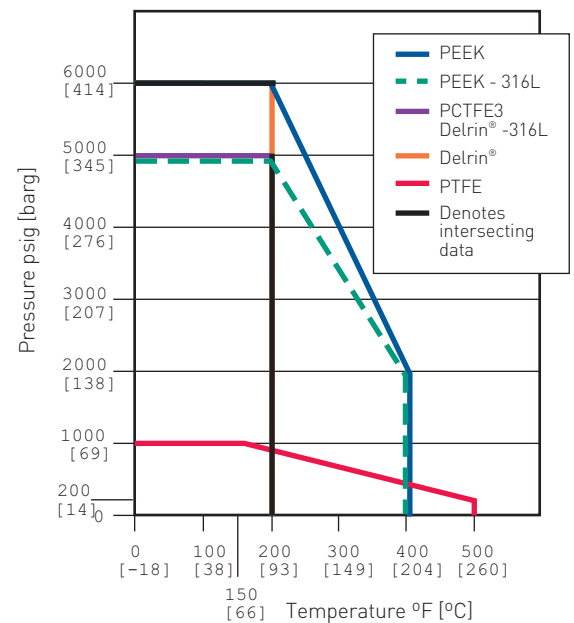
NOTES

- CS is zinc chromate plated to prevent corrosion (except male plain end is black oxide coated).
- SG (Sour Gas) meets the requirements of NACE MR0175/ISO 15156 (for chloride conditions < 50 mg/l (ppm) and NACE MR0103-2005.
- PCTFE (Polychlorotrifluoroethylene) is the exact equivalent of Kel-F®.
- Temperature (min.) -70°F (-57°C).

PRESSURE VS. TEMPERATURE - METAL SEAT



PRESSURE VS. TEMPERATURE - SOFT SEAT



ANDERSON GREENWOOD OS&Y GAUGE VALVES

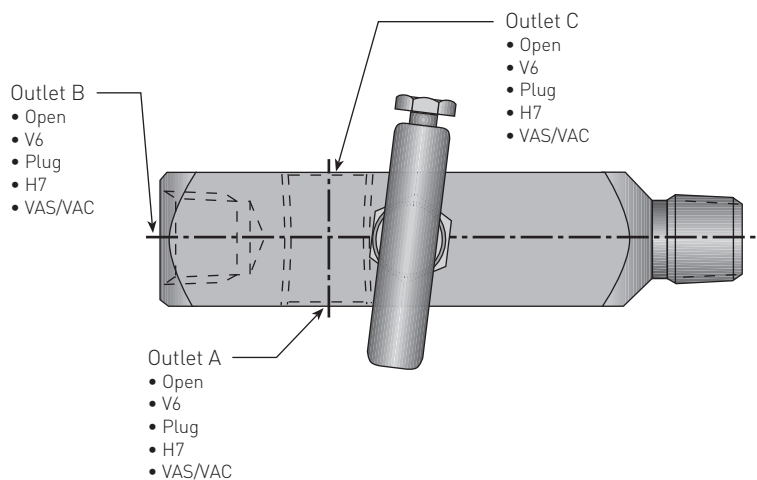
SERIES M5AK

SELECTION GUIDE - M5AK METAL SEAT

Example:	M5AK	H	S	S	-44C	-SG
Packing						
H	GRAFOIL®					
V	PTFE					
Seat						
S	316 SS					
M	Monel®					
Body material^[1]						
C	CS, A105					
S	SS, A479-316					
W	SS, A479-316L					
Connections (inlet/outlet)^[2]						
44	½-inch MNPT x (3) ½-inch FNPT					
46	¾-inch MNPT x (3) ½-inch FNPT					
Connection style						
C	Male plain end (inlet) (CS is black oxide coated)					
Length						
L	Long body for 4" insulation					
Options						
HD	Hydrostatic testing (100%) (MSS-SP-61)					
MS	Monel stem					
PMI00	PMI body only					
SG	(Sour Gas) NACE edition 2003 /MR0103					
SG3	(Sour Gas) NACE MR0175/ISO 15156-3 (latest edition)					
SS	All 316 SS construction					

NOTES

1. Call factory for optional materials.
2. Call factory for optional connection sizes.



ANDERSON GREENWOOD OS&Y GAUGE VALVES

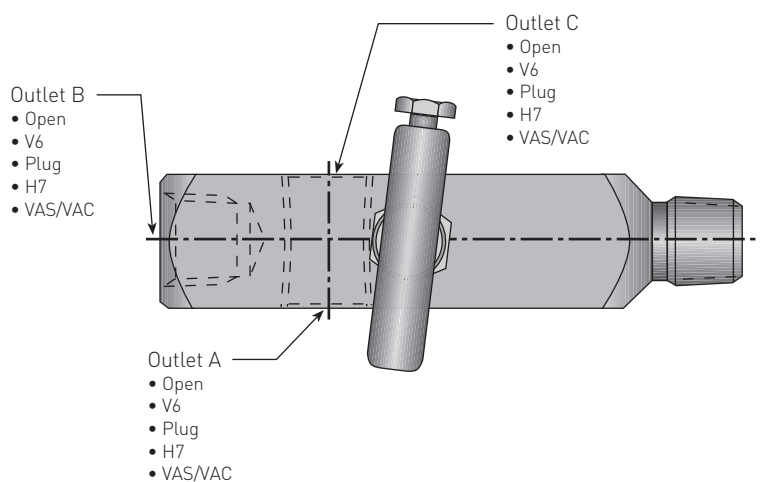
SERIES M5AK

SELECTION GUIDE - M5AK SOFT SEAT

Example:	M5AK	V	V	S	-44C	-SG
Packing						
H	GRAFOIL®					
V	PTFE					
Seat						
V	PTFE					
D	Delrin®					
E	PEEK					
K	PCTFE ^[1]					
Body material^[2]						
C	CS, A105					
S	SS, A479-316					
W	SS, A479-316L					
Connections (inlet/outlet)^[3]						
44	½-inch MNPT x (3) ½-inch FNPT					
46	¾-inch MNPT x (3) ½-inch FNPT					
Connection style						
C	Male plain end (inlet) (CS is black oxide coated)					
Length						
L	Long body 4" insulation					
Options						
HD	Hydrostatic testing (100%) (MSS-SP-61)					
MS	Monel stem					
PMI00	PMI body only					
SG	[Sour Gas] NACE edition 2003 /MR0103					
SG3	[Sour Gas] NACE MR0175/ISO 15156-3 (latest edition)					
SS	All 316 SS construction					

NOTES

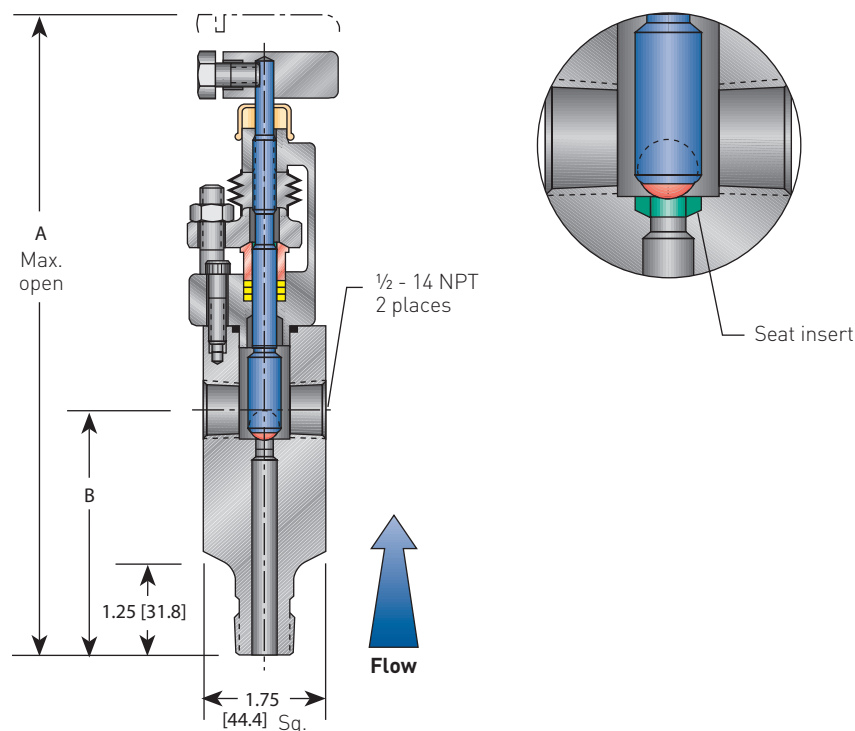
1. PCTFE [Polychlorotrifluoroethylene] is the exact equivalent of Kel-F®.
2. Call factory for optional materials.
3. Call factory for optional connection sizes.



ANDERSON GREENWOOD OS&Y GAUGE VALVES

SERIES M5YK

M5YK DIMENSIONS, INCHES [mm]



DIMENSIONS, INCHES [mm]

Body type	A	B	Weight lb [kg]
Standard	9.20 [233.7]	3.50 [88.9]	4.5 [2.0]
Long body	11.70 [297.2]	6.00 [152.4]	7.0 [3.2]

M5YK STANDARD MATERIALS

Valve ^[1]	Body ^[2]	Stem	Ball	Yoke	Bolt
CS ^[3]	A696-Gr C	A276-316 SS	17-4PH	A351-CF8M	A286
316 SS	A479-316 SS	A276-316 SS	A276-316 SS	A351-CF8M	A286
316L SS	A479-316L SS	A276-316 SS	A276-316 SS	A351-CF8M	A286
SG ^[4]	A479-316 SS	Monel® R405	Monel® K500	A351-CF8M	A286
SG3 ^{[5][6]}	Hastelloy® C-276	Hastelloy® C-276	Elgiloy®	A474-CW12MW	A286

NOTES

- Orifice size 1/4-inch [6.4 mm].
Valve C_v 1.4 maximum.
- Call factory for optional materials.
- CS is zinc chromate plated to prevent corrosion.
- SG (Sour Gas) meets the requirements of NACE MR0175/ISO 15156 (for chloride conditions < 50 mg/l (ppm)) and NACE MR0103-2005.
- For Hastelloy® and SG3 call factory for dimensions and weights.
- SG3 (Sour Gas) meets the requirements of NACE MR0175/ISO 15156 (for chloride conditions > 50 mg/l (ppm)).
If accessories are added, consult factory for materials.

ANDERSON GREENWOOD OS&Y GAUGE VALVES

SERIES M5YK

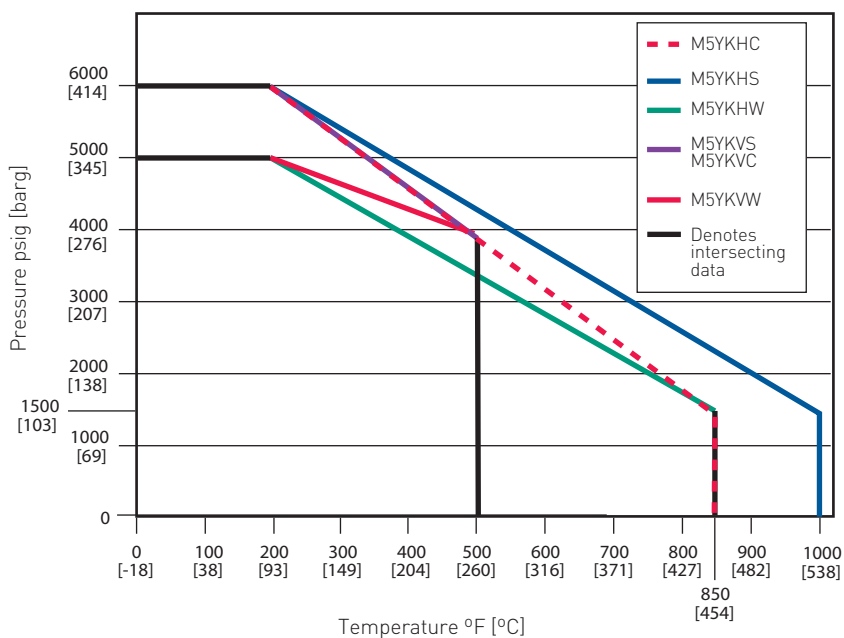
M5YK PRESSURE AND TEMPERATURE RATINGS

Valve	GRAFOIL® packing	PTFE packing
CS	6000 psig at 200°F [414 barg at 93°C]	6000 psig at 200°F [414 barg at 93°C]
	1500 psig at 850°F [103 barg at 454°C]	4000 psig at 500°F [276 barg at 260°C]
316 SS	6000 psig at 200°F [414 barg at 93°C]	6000 psig at 200°F [414 barg at 93°C]
	1500 psig at 1000°F [103 barg at 538°C]	4000 psig at 500°F [276 barg at 260°C]
316L SS	5000 psig at 200°F [345 barg at 93°C]	5000 psig at 200°F [345 barg at 93°C]
	1500 psig at 850°F [103 barg at 454°C]	4000 psig at 500°F [276 barg at 260°C]
SG ^[1] ,SG3 ^[2]	6000 psig at 200°F [414 barg at 93°C]	6000 psig at 200°F [414 barg at 93°C]
	1500 psig at 1000°F [103 barg at 538°C]	4000 psig at 500°F [276 barg at 260°C]

NOTES

- SG (Sour Gas) meets the requirements of NACE MR0175/ISO 15156 (for chloride conditions < 50 mg/l (ppm)) and NACE MR0103-2005.
- SG3 (Sour Gas) meets the requirements of NACE MR0175/ISO 15156 (for chloride conditions > 50 mg/l (ppm)). If accessories are added, consult factory for materials.
- Temperature (min.) -70°F (-57°C).

PRESSURE VS. TEMPERATURE



ANDERSON GREENWOOD OS&Y GAUGE VALVES

SERIES M5YK

SELECTION GUIDE - M5YK

Example:	M5YK	H	I	S	-44LC	-SG
Packing						
H	GRAFOIL®					
V	PTFE					
Seat (orifice diameter 1/4-inch [6.4 mm])						
I	Integral (standard)					
S	316 SS insert (available for CS body only)					
M	Monel® insert					
P	Power version					
Body material⁽¹⁾						
C ⁽²⁾	CS, A696 Gr C (A105)					
S	SS, A479-316					
W	SS, A479-316L					
Connections (inlet/outlet)						
44	1/2-inch MNPT x (2) 1/2-inch FNPT					
46	3/4-inch MNPT x (2) 1/2-inch FNPT					
48	1-inch MNPT x (2) 1/2-inch FNPT					
Connection style						
C	Male plain end (inlet) (CS is black oxide coated)					
Length						
L	Long body extension (4-inch [102 mm] insulation) (not available as -44L)					
Options						
SG	(Sour Gas) NACE edition 2003 /MR0103					
SS	All 316 SS construction					
XP	ASME B31.1					
SG3	(Sour Gas) NACE MR0175/ISO 15156-3 (latest edition)					

NOTES

1. Call factory for optional materials.
2. A696 Gr C is the bar stock equivalent to A105 carbon steel.

INSTRUMENTS • CONTROLS • VALVES

[CLICK TO VISIT OUR WEBSITE](#)



ARCO
Engineering, Inc.
SINCE 1954

www.arcoengineering.com

**3317 Gilmore Industrial Blvd.
Louisville, KY 40213**

**Ph: (502) 966-3134
Fx: (502) 966-3135**