

INSTRUMENTS • CONTROLS • VALVES

CLICK TO VISIT OUR WEBSITE



3317 Gilmore Industrial Blvd.
Louisville, KY 40213

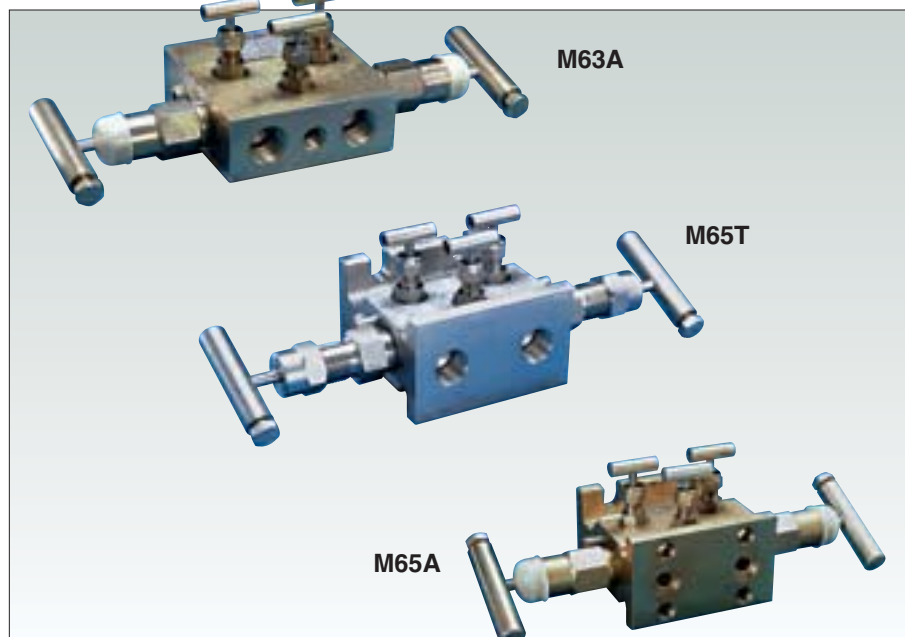
Engineering, Inc.

SINCE 1954
www.arcoengineering.com

Ph: (502) 966-3134

Fx: (502) 966-3135

Natural Gas Manifolds – M63A, M65T and M65A 5-Valve Manifolds



Product Overview

$\frac{3}{8}$ -inch [9.5 mm] Orifice

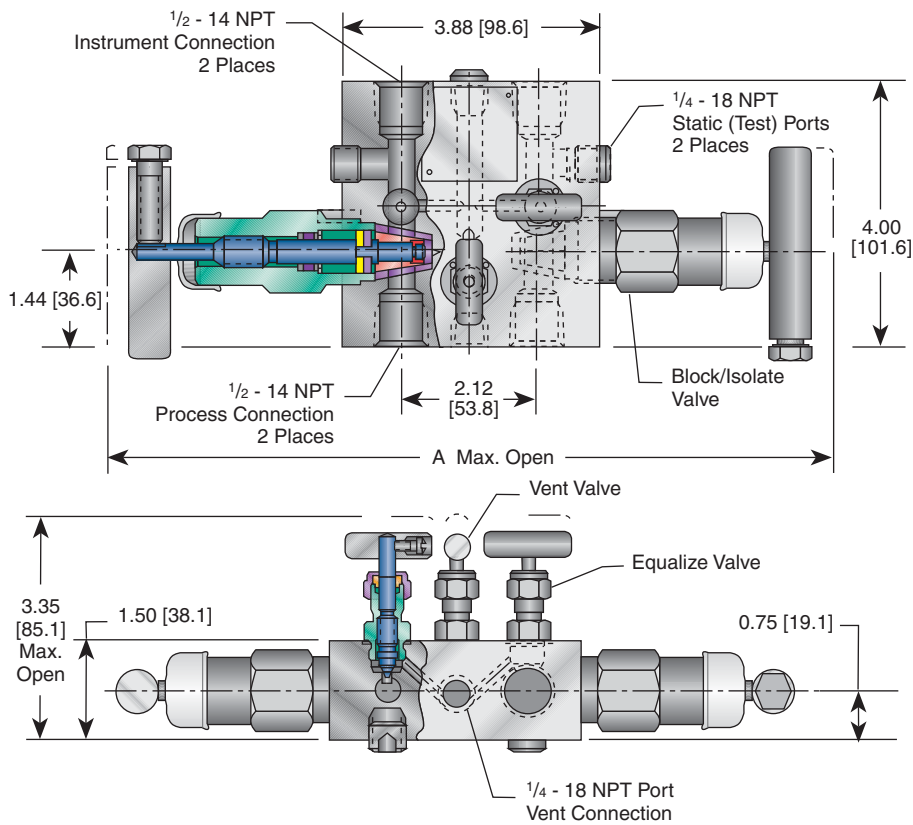
This product series parallels the M6A series but with the larger $\frac{3}{8}$ -inch [9.5 mm] orifices. The series was developed to answer two needs: 1) a larger valve orifice to assure positive line drainage where wet gas and hydrates are a problem; and 2) to match the flange tap drilling of $\frac{3}{8}$ -inch [9.5 mm] reducing signal variance when pulsating flow is experienced and the manifold (M65A) is mounted as close to the flange outlet as practical.

Features and Benefits

- **The valves are identical** for all three manifold configurations:
M63A - pipe x pipe
M65T - pipe x flange
M65A - flange x flange
- **As with the M6A series**, the M63A is generally mounted and supported by the $\frac{3}{8}$ -inch or $\frac{1}{2}$ -inch tubing lines for orifice meter applications.
- **The M65T and M65A may be pipe-stand mounted** with the appropriate AGCO Mount Kit to support a differential transmitter. Advantages of AGCO Mount are: that installation may be made prior to availability of the transmitter; and, easier and faster removal of transmitter for maintenance since transmitter is supported only by the manifold.
- **Soft seats** are available in a variety of materials to suit sweet or sour gas.
- **The seats are field replaceable** without removing the manifold.
- **Bonnet assemblies have blow-out proof stems** that seal and isolate the packing when the valve is fully open.
- **Packing** is below the stem threads for corrosion protection.

Natural Gas Manifolds – M63A Specifications

M63A Dimensions, inches [mm]

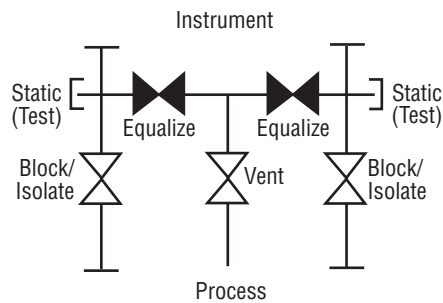


M63A Dimensions, inches [mm]

Packing	A
Teflon®	11.90 [302.3]
O-ring	11.36 [288.5]

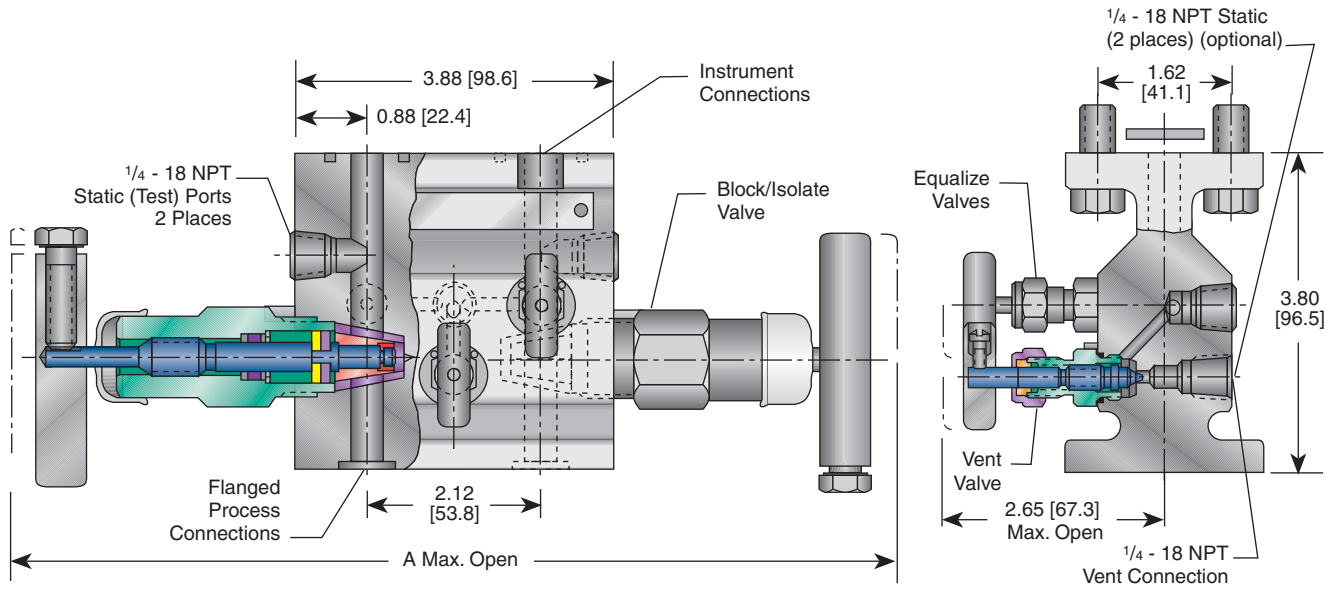
Notes

1. Approximate valve weight: 8.0 lb [3.6 kg].
0.375-inch [9.5 mm] diameter orifice.
Valve C_v 3.0 maximum.
2. Bottom static (test) connections available.
See options, page 137.



Natural Gas Manifolds – M65A Specifications

Dimensions, inches [mm]

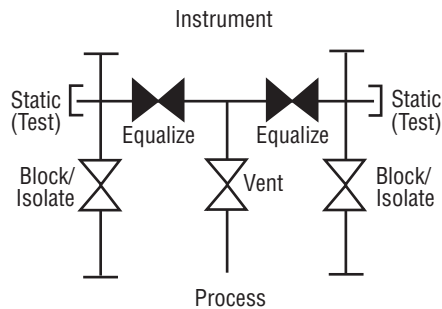


Dimensions, inches [mm]

Packing	A	
Teflon®	11.90	[302.3]
O-ring	11.36	[288.5]

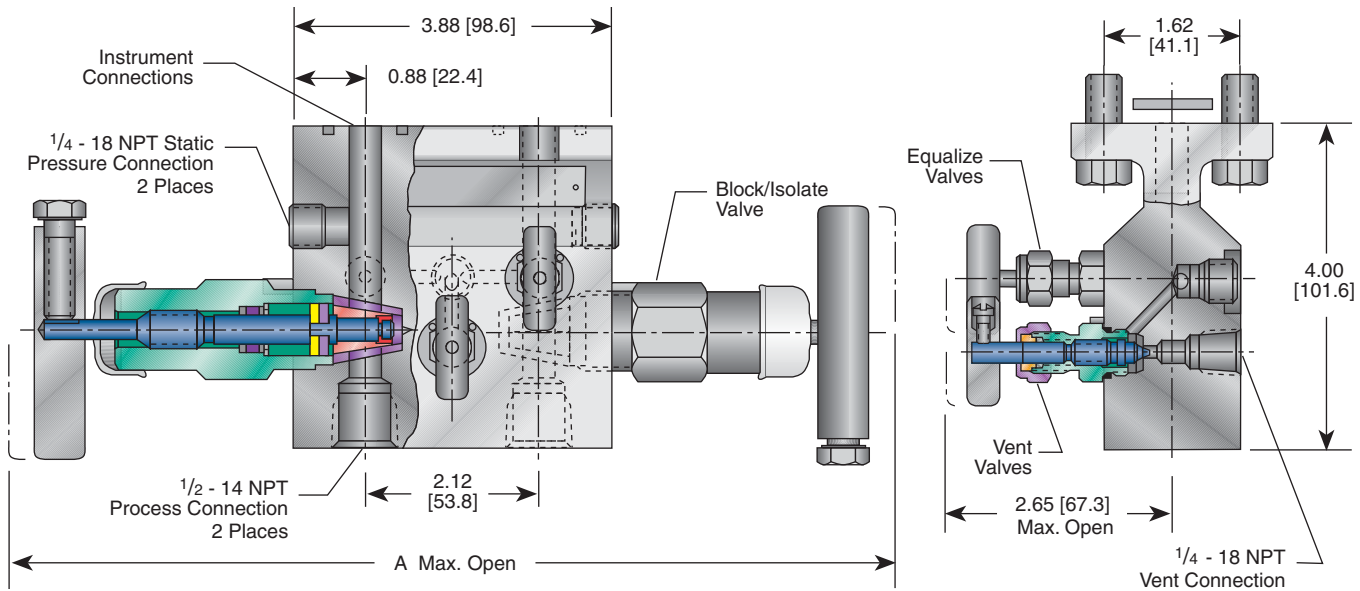
Notes

1. Approximate valve weight: 7.6 lb [3.4 kg].
0.375-inch [9.5 mm] diameter orifice.
Valve C_v 3.0 maximum.
2. Bottom static pressure connections 1/4-inch - 18 NPT available (see options page 137).
3. PCTFE (Polychlorotrifluoroethylene) is the exact equivalent of Kel-F®.
4. M65A Installation Kit consists of 4 bolts 7/16-inch - 20 x 1-inch A193-B7, 4 washers, and 2 Teflon® gaskets.



Natural Gas Manifolds – M65T Specifications

M65T Dimensions, inches [mm]

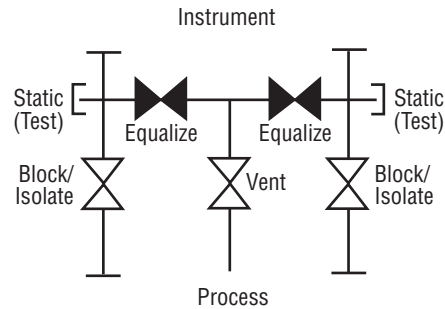


M65T Dimensions, inches [mm]

Packing	A
Teflon®	11.90 [302.3]
O-ring	11.36 [288.5]

Notes

1. Approximate valve weight: 7.6 lb [3.4 kg].
0.375-inch [9.5 mm] diameter orifice.
Valve C_v 3.0 maximum.
2. Bottom static pressure connections
1/4-inch - 18 NPT available (see options
page 137).
3. M65T Installation Kit consists of 4 bolts
7/16-inch-20 x 1-inch A193-B7, 4 washers,
and 2 Teflon® gaskets.



Natural Gas Manifolds – M63A, M65T and M65A Specifications

Standard Materials

Valve	Seat	Body	Bonnet	Stem	Flow Washer
CS ¹	Soft	A105 ²	A108	A582-303	316
SS	Soft	A479-316 ³	A479-316	A276-316	316
SG ⁴	Soft	A479-316	A479-316	Monel [®] R405	316
SG3 ⁶	Soft	Hastelloy [®] C-276	Hastelloy [®] C-276	Hastelloy [®] C-276	Hastelloy [®]

Pressure and Temperature Ratings

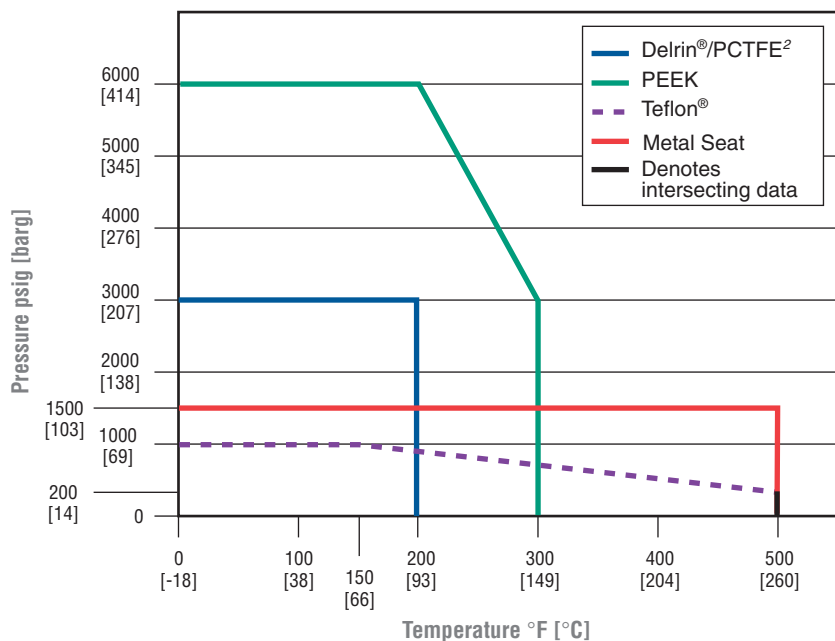
Packing	Seat Material	Seat	Standard Bolting		SS Bolting	
Teflon [®] , O-ring	Delrin [®] PCTFE ⁵	Soft	3000 psig @ 200°F	[207 barg @ 93°C]	3000 psig @ 200°F	[207 barg @ 93°C]
Teflon [®] , O-ring	PEEK	Soft	6000 psig @ 200°F 3000 psig @ 300°F	[414 barg @ 93°C] [207 barg @ 149°C]	4500 psig @ 100°F 3000 psig @ 300°F	[310 barg @ 38°C] [207 barg @ 149°C]
Teflon [®]	Teflon [®]	Soft	1000 psig @ 150°F 200 psig @ 500°F	[69 barg @ 66°C] [14 barg @ 260°C]	1000 psig @ 150°F 200 psig @ 500°F	[69 barg @ 66°C] [14 barg @ 260°C]
Teflon [®]	SS	Metal	1500 psig @ 500°F	[103 barg @ 260°C]	1500 psig @ 500°F	[103 barg @ 260°C]

Notes

1. CS parts are zinc cobalt plated.
2. M63A body material is A108
3. M63A body material is A240-316.
4. SG (Sour Gas) meets the requirements of NACE MR0175-2002.
5. PCTFE (Polychlorotrifluoroethylene) is the exact equivalent of Kel-F[®].
6. SG3 (Sour Gas) meets the requirements of NACE MR0175-2003.

Natural Gas Manifolds – M63A¹, M65T and M65A Specifications

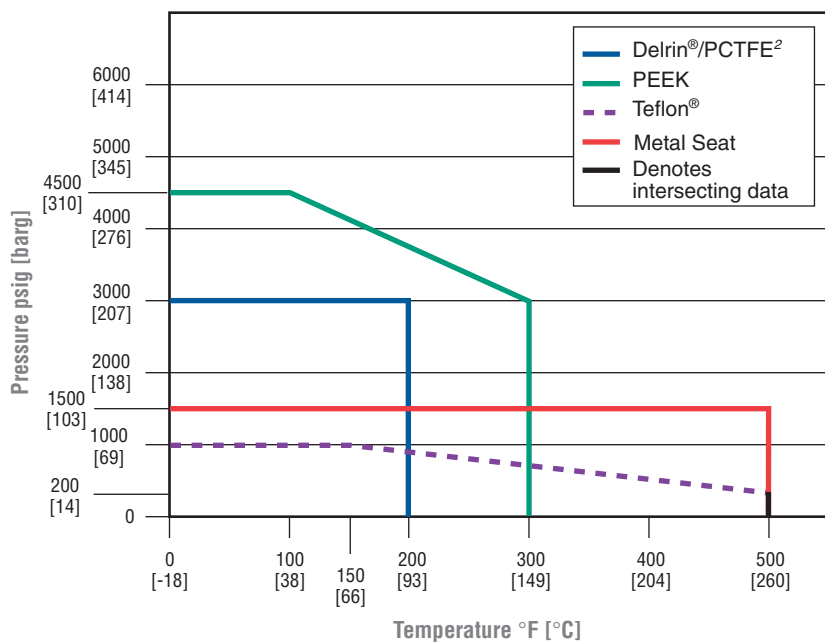
Pressure vs. Temperature – Standard Bolting¹



Notes

1. Use left Pressure Temperature Ratings column for M63A.
2. PCTFE (Polychlorotrifluoroethylene) is the exact equivalent of Kel-F®.
3. 316 SS bolts lower pressure ratings to a maximum of 4500 psi [310 barg]. Consult factory for full rating with 316 SS bolts.

Pressure vs. Temperature – SS Bolting³



Natural Gas Manifolds – M63A, M65T and M65A Specifications

Ordering Information

	M63A	V	D	S	-4	-SG
Valve Type						
<i>3/8-inch [9.5 mm] orifice</i>						
M63A	– Pipe x Pipe					
M65T	– Pipe x Flange					
M65A	– Flange x Flange					
Packing						
V	– Teflon® (patent protected)					
R	– O-ring					
Seat (cone)						
Soft (Block valves only)		Hard²				
V	– Teflon®	S	– SS, A479-316			
D	– Delrin®	M	– Monel®			
E	– PEEK					
K	– PCTFE					
Body Material						
C	– CS ¹ , A105 ³					
S	– SS, A479-316					
J	– Hastelloy®					
Process Connections						
<i>M63A and M65T Only</i>						
4	– 1/2-inch FNPT					

Options Code

- AM AGCO Mount Kit for 2-inch pipestand mounting of manifold (page 138).
- BC Accessory bracket for mounting conduit with AGCO Mount
- BP Accessory bracket for mounting purge meters with AGCO Mount
- CL Cleaned for Chlorine Service.
- OC Cleaned for Oxygen Service.
- HD Hydrostatic testing includes test report (MSS-SP-61)
- R3V Add when mounting to Rosemount® Model 3051C, 2024, 3095, specify on all components, use SS columns for rating except for M63A.
- SG Sour Gas meets the requirements of NACE MR0175-2002. (SS valves only) (Not available for O-ring packed valves)
- SG3 Sour Gas meets the requirements of NACE MR0175-2003
- SSA SS flange bolts (grade 18-8) - Maximum pressure rating 4500 psi [310 barg]
- SSC SS flange bolts (316 SS) - Maximum pressure rating 4500 psi [310 barg]
- TB Test/Calibration Ports (bottom of manifold) 1/4-inch -18 NPT, 2 places, M65T, M65A only.
- EL () Installed street elbows in static test ports (M65T and M65A only)
Elbows provided with 1/4-inch NPT Plugs
EL1 – Elbow facing bottom of manifold
EL2 – Elbow facing outlet of manifold
EL3 – Elbow facing top of manifold
- SP Special Requirements - provide complete description of requirements.

Notes

1. CS is zinc cobalt plated to resist corrosion.
2. Equalizer valve is ball seated. Ball material is 316 SS for SS body, 17-4 PH for CS body.
3. M63A is A108-1018.