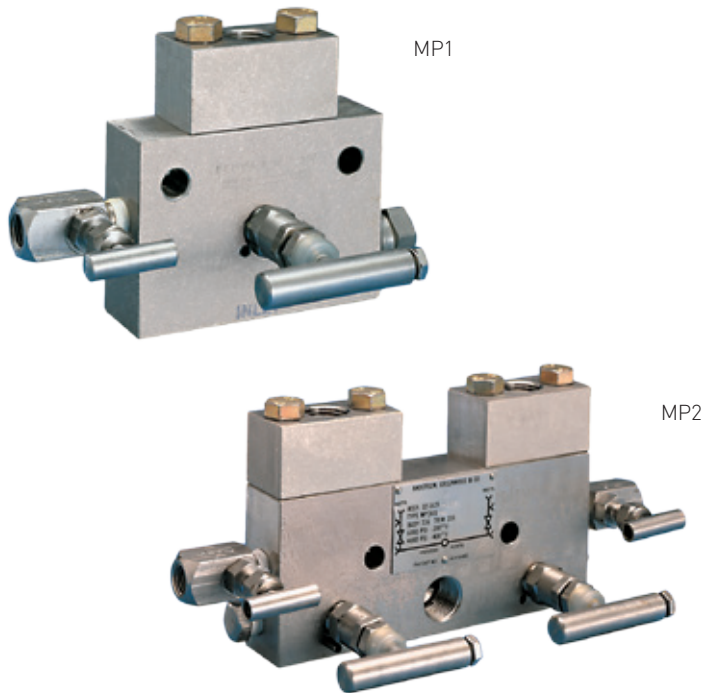


ANDERSON GREENWOOD MP1/MP2 STATIC PRESSURE MANIFOLDS

Block and bleed manifold for static pressure measurement devices. Single or dual outlet for local indication for static pressure to 6000 psig (414 barg)



FEATURES

- Cost savings of 20-30% when manifolding instruments by eliminating several parts used in conventional methods of 'piping up'.
- Compact design requires minimum space for operation and installation.
- Fewer leak points reduce leakage by having fewer parts to assemble.
- Free-swivelling ball end stem design ensures bubble-tight valve closure without seat galling.
- Reduced piping costs by mounting two instruments on the same manifold and pipe stand.
- Immediate installation with AGCO Mount as the manifold, steam block, bracket and all associated piping can be installed without the instrument at the time of plant construction.
- Secure mounting provided by the AGCO Mount. Instrument piping stability is enhanced when directly supported by the pipe stand through the manifold.
- All block valve threading is isolated. Packing is below stem threads, body-to-bonnet seal is below the threads minimizing process fluid corrosion.
- Reduced chance of instrument damage. With the AGCO Mount, the instrument can be warehoused safely until final 'loop' checkout.

GENERAL APPLICATION

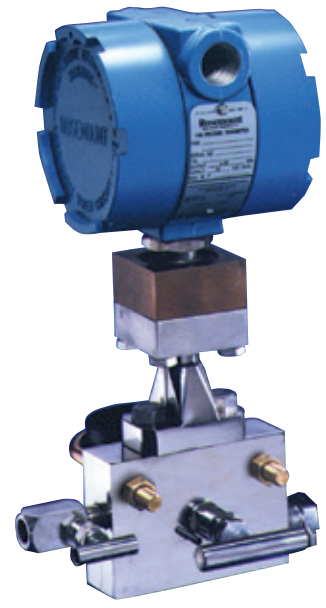
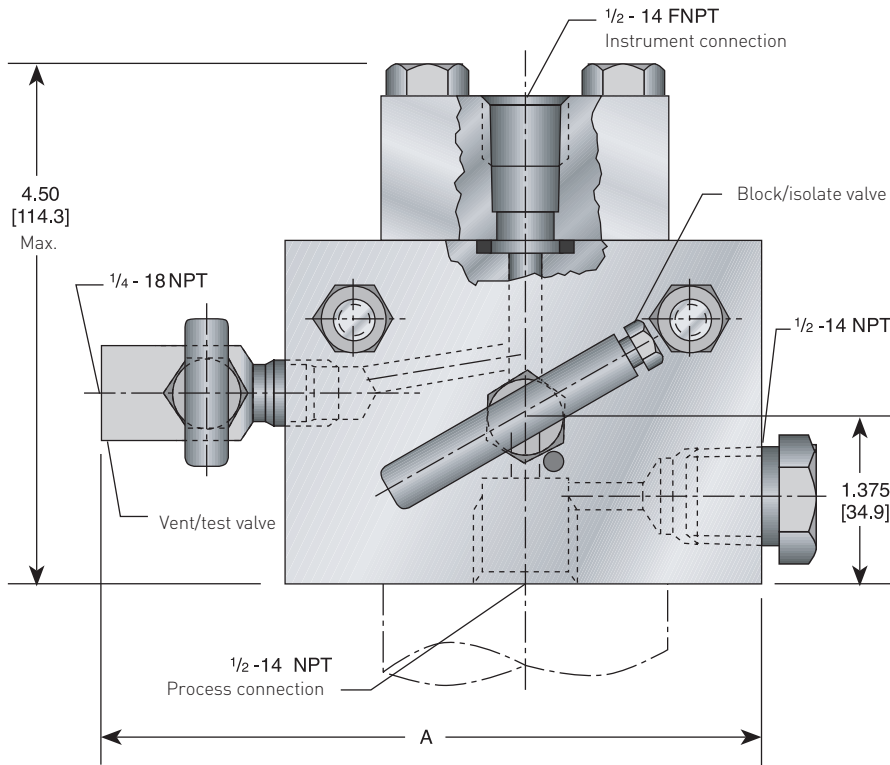
MP1 is a two-valve manifold for single instrument applications, such as block and bleed, test and calibration and instrument zeroing. MP2 is designed to mount two different pressure instruments simultaneously from a single pressure source.

TECHNICAL DATA

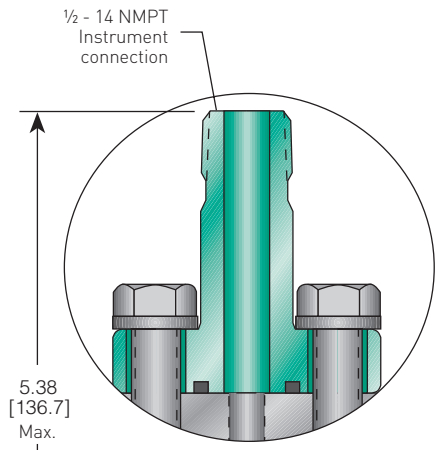
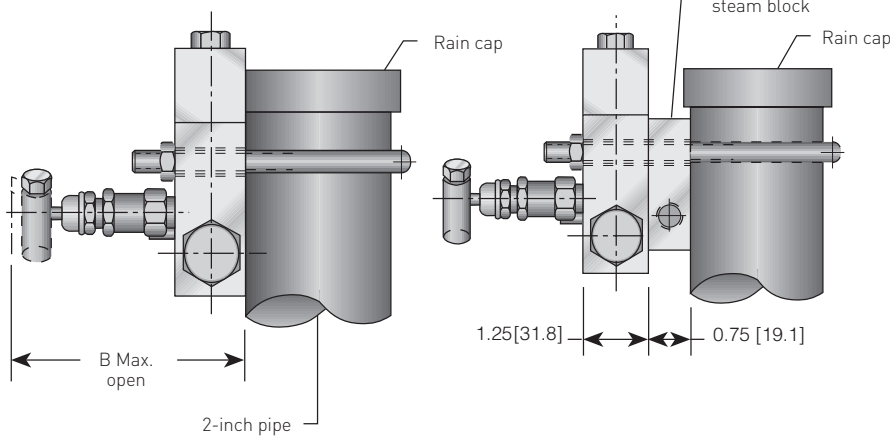
Materials:	CS, SS, Monel
Seats:	Metal
Connections:	
Instrument:	½" (15mm) NPT
Process:	½" (15mm) NPT
Pressure (max.):	6000 psig (414 barg)
Temperature (max.):	1000°F (538°C)

ANDERSON GREENWOOD MP1 STATIC PRESSURE MANIFOLDS

MP1 DIMENSIONS, INCHES (mm)



MP1 Pressure mount



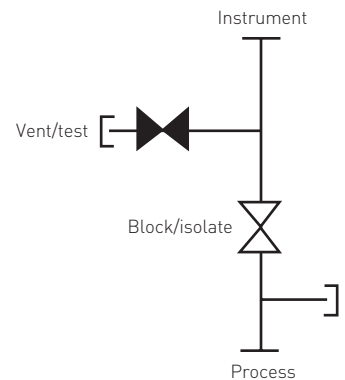
Close-couple Futbol male outlet (option FB1)

DIMENSIONS

Packing	A	B
PTFE	5.62 [142.7]	3.85 [97.8]
GRAFOIL®/Low emissions graphite	8.20 [208.3]	4.50 [114.3]

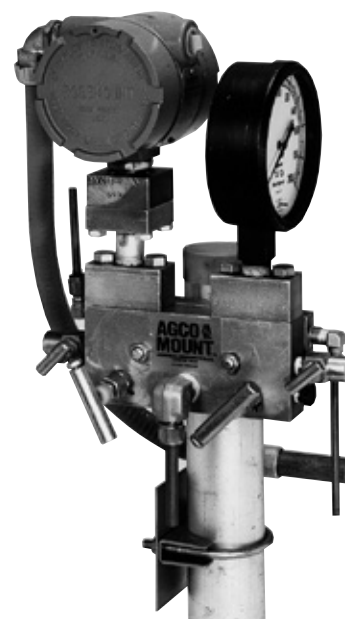
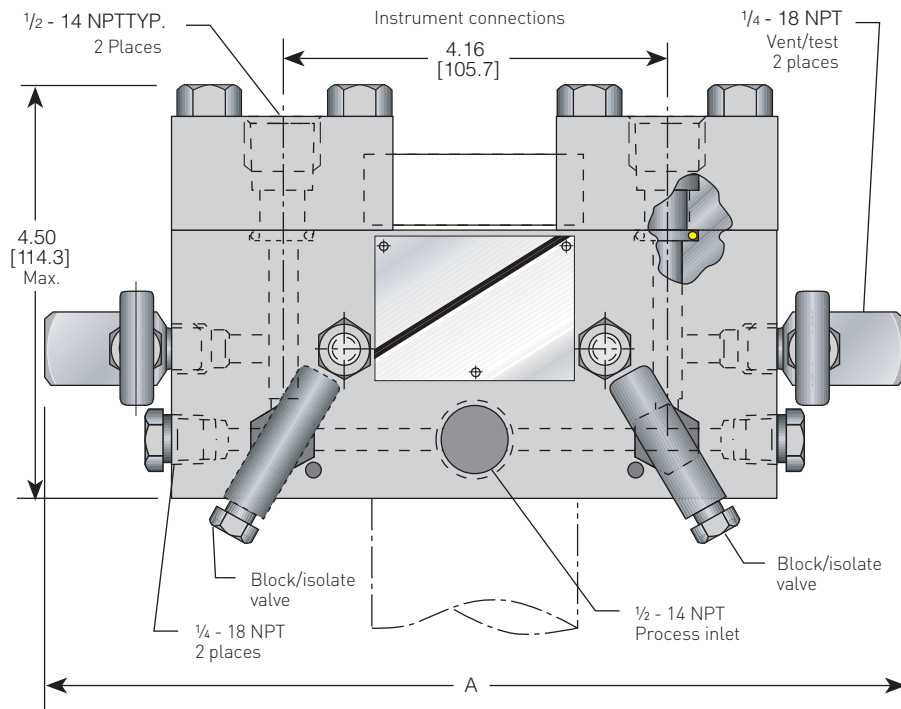
NOTES

1. Pressure seal between union connectors and manifold body is FKM O-ring for PTFE packed valves, GRAFOIL® for GRAFOIL® packed valves.
2. Approximate valve weight: 6.0 lb (2.72 kg).
0.187-inch (4.8 mm) diameter orifice.
Valve C_v 0.52 maximum.

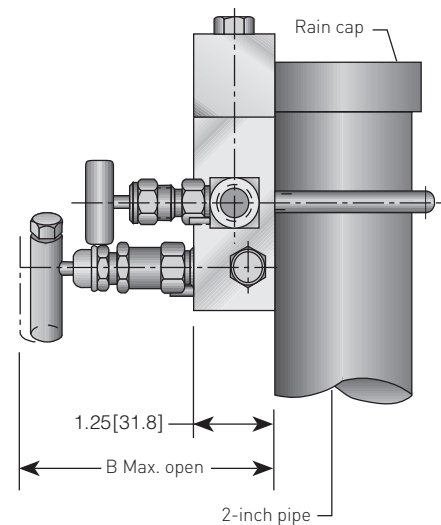


ANDERSON GREENWOOD MP2 STATIC PRESSURE MANIFOLDS

MP2 DIMENSIONS, INCHES (mm)



MP2 dual pressure mount

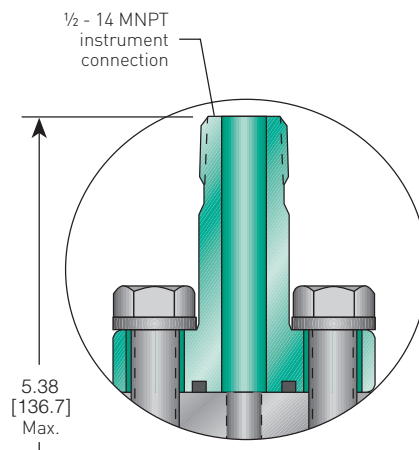


DIMENSIONS, INCHES (mm)

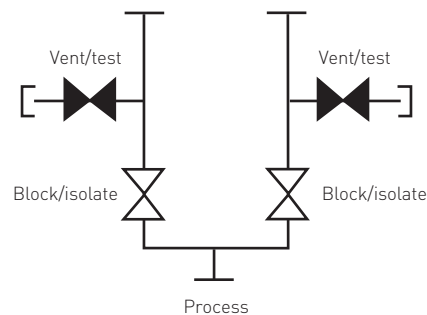
Packing	A	B
PTFE	9.81 (105.7)	3.85 (97.8)
GRAFOIL®/Low emissions graphite	13.98 (355.1)	4.50 (114.3)

NOTES

1. Pressure seal between union connectors and manifold body is FKM O-ring for PTFE packed valves, GRAFOIL® for GRAFOIL® packed valves.
2. Approximate valve weight:
10.0 lb (4.54 kg).
0.187-inch (4.8 mm) diameter orifice.
Valve C, 0.52 maximum.



Close-couple Futbol male outlet (option FB1)



ANDERSON GREENWOOD MP1/MP2 STATIC PRESSURE MANIFOLDS

PRODUCT OVERVIEW

Both the MP1 and MP2 serve as manifold and mount in one unit. The MP2 has dual block and bleed valves, each operating independently of the other utilizing a single input. The block valves are used to isolate the pressure devices from the process. During normal operation the block valves are open. The static pressure line is connected to the manifold with a 1/2" (15mm) FNPT connection.

BONNET ASSEMBLIES

The MP1 and MP2 feature metal-seated bonnet assemblies which have a rotating stem with free swivel ball-type seat for long service life. The stem threads are rolled and lubricated to prevent galling and reduce operating torque. The stem seal is a patented PTFE packing gland which is adjustable in service. A protective dust cap is fitted to contain stem lubricant and prevent the influx of contaminants. The specially hardened ball seat is ideal for both gas and liquid service. All bonnets are assembled with a bonnet locking pin to prevent accidental removal while in service.

STANDARD MATERIALS - MP1

Valve	Body	Bonnet	Stem/ball (block valve)	Stem (bleed valve)	Vent/test valve	Bolts
CS ¹	A105	A108 17-4 ball	A581-303 stem	A581-303	A1053	A193-B7
SS	A479-316	A479-316	A276-316 stem 316 SS ball	A276-316	A479-316	A193-B7
SG ²	A479-316	A479-316	Monel [®] 400 stem Monel [®] K-500 ball	Monel [®] R405	A479-316	A193-B7
Monel [®]	Monel [®] 400	Monel [®] R405	Monel [®] 400 stem Monel [®] K-500 ball	Monel [®] R405	Monel [®]	A193-B7

STANDARD MATERIALS - MP2

Valve	Body	Bonnet	Stem/ball (block valve)	Stem (bleed valve)	Vent/test valve	Bolts
CS ¹	A108	A108	A581-303 stem 17-4 ball	A581-303	A1053	A193-B7
SS	A479-316	A479-316	A276-316 stem 316 SS ball	A276-316	A479-316	A193-B7
SG ²	A479-316	A479-316	Monel [®] 400 stem Monel [®] K-500 ball	Monel [®] 405 ⁴	A479-316	A193-B7

PRESSURE AND TEMPERATURE RATINGS

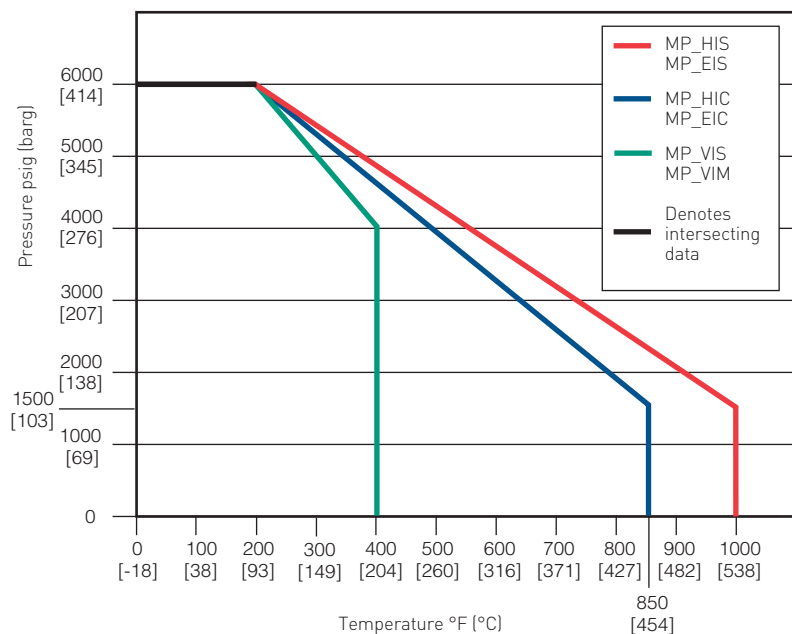
Valve	Packing	Ratings
CS ¹ , SS and SG ²	PTFE	6000 psig at 200°F (414 barg at 93°C) 4000 psig at 400°F (276 barg at 204°C)
CS ¹	GRAFOIL [®] /Low emissions graphite	6000 psig at 200°F (414 barg at 93°C) 1500 psig at 850°F (103 barg at 454°C)
SS	GRAFOIL [®] /Low	6000 psig at 200°F (414 barg at 93°C)
SG ²	emissions graphite	1500 psig at 1000°F (103 barg at 538°C)

NOTES

- CS parts are zinc chromate plated to prevent corrosion.
- SG (Sour Gas) meets the requirements of NACE MR0175/ISO 15156 (for chloride conditions ≤ 50 mg/l (ppm)) and NACE MR0103-2005.
- PTFE packed bleed valve body is 10L18 steel.
- Stem is Monel[®] 400 for hot packed bonnets.
- Minimum temperature for 316SS PTFE and Grafoil packed valves: -70°F (-57°C).

ANDERSON GREENWOOD MP1/MP2 STATIC PRESSURE MANIFOLDS

PRESSURE VS. TEMPERATURE



NOTE

- MP1 and MP2 include U-bolt and nuts for 2-inch pipe mounting.

SELECTION GUIDE

Example: MP1 V I C -4 C -BC

Model	MP1	V	I	C	-4	C	-BC
Model							
MP1	Pipe stand mounted static pressure manifold (one instrument)						
MP2	Pipe stand mounted static pressure manifold (two instruments)						
Packing							
V	PTFE						
H	Grafoil®						
E	Low emissions graphite						
Seat							
I	Integral (body material)						
Body material							
C	CS						
S	316 SS						
M	Monel®						
W	316L SS						
Connections							
-4	Two bolt connector x 1/2-inch FNPT outlet x 1/2-inch FNPT inlet x 1/4" FNPT vent						
-44	Two bolt connector x 1/2-inch FNPT outlet x two bolt connector 1/2-inch FNPT inlet x 1/4" FNPT vent						
Connection style							
C	Female socket weld						
Options¹							
BC	Accessory bracket conduit connection						
BL	Bonnet lock device						
HD	Hydrostatic testing (100%) (MSS-SP-61)						
OC00	Oxygen clean (OC)						
SB	Steam block						
SG	(Sour Gas) NACE edition 2003 /MR0103						
SG3	(Sour Gas) NACE MR0175/ISO 15156-3 (latest edition)						
SSC	316 flange bolt (B8M) - maximum pressure rating 4500 psig (310 barg)						

INSTRUMENTS • CONTROLS • VALVES

CLICK TO VISIT OUR WEBSITE



ARCO
Engineering, Inc.
SINCE 1954
www.arcoengineering.com

3317 Gilmore Industrial Blvd.
Louisville, KY 40213

Ph: (502) 966-3134
Fx: (502) 966-3135

