

PD6870

ProtEX-FarVu Explosion-Proof Loop-Powered Process Meter



ProtEXTM
FarVu

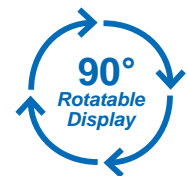


APPROVED



3 1/2 DIGITS • LARGE DISPLAY

- 4-20 mA Input
- Modern, Sleek and Practical Enclosure
- 3½ Digits, 1" (25.4 mm) Display
- Display Mountable at 0°, 90°, 180°, & 270° Degrees.
- Easy Calibration and Installation
- Loop-Powered Backlight Option
- 1 V Drop (4 V with Backlight)
- Explosion-Proof, IP68, NEMA 4X Enclosure
- Flanges for Wall or Pipe Mounting
- HART® Protocol Transparent
- Operates from -40 to 75°C



INSTRUMENTS • CONTROLS • VALVES

[CLICK TO VISIT OUR WEBSITE](#)

ARCO
Engineering, Inc.
SINCE 1954
www.arcoengineering.com

3317 Gilmore Industrial Blvd.
Louisville, KY 40213

Ph: (502) 966-3134
Fx: (502) 966-3135

**PRECISION
DIGITAL** ⚡

PRECISION DIGITAL CORPORATION

www.predig.com

SPECIFICATIONS

Except where noted all specifications apply to operation at +25°C.

Display: 3½ digit LCD, 1" (25.4 mm); -1,999 to 1,999

Display Update Rate: 2.5 Updates/Second

Display Orientation: Display may be mounted at 90° increments up to 270° from default orientation.

Overrange: Display reads 1 on the left most digit.

Programming Method: Four front mounted rotary control dials accessed when the cover is removed.

Recalibration: Recommended at least every 12 months.

Normal Mode Rejection: 60 dB rejection ratio

Operating Temperature Range: -40 to 75°C

Storage Temperature Range: -40 to 75°C

Relative Humidity: 0 to 90% non-condensing

Connections: Screw terminals accept 12 to 22 AWG wire

Enclosure: Explosion-proof die cast aluminum with glass window, 0.30% max copper content, corrosion resistant epoxy coating, color: blue.

NEMA 4X, IP68. Two ¾" NPT threaded conduit openings. One ¾" NPT nickel plated brass conduit plug with 10 mm hex key fitting installed.

Mounting: May be mounted directly to conduit. Two slotted flanges for wall mounting or NPS 1½" to 2½" or DN 40 to 65 mm pipe mounting.

Overall Dimensions: 5.65" x 5.25" x 4.86"

(144 mm x 133 mm x 124 mm) (W x H x D)

Weight: 5.00 lbs (80 oz, 2.27 kg)

Warranty: 3 years parts and labor

Input

Input: 4-20 mA

Accuracy: ±0.1% of full span ±1 count

Temperature Drift: 150 PPM/°C from -40 to 75°C ambient

Decimal Point: User selectable decimal point

Calibration Range: 4 mA input: -1000 to +1000; 20 mA between 20 and 2000 counts greater than 4 mA display. Two point linear display span.

Maximum Voltage Drop: 1 VDC @ 20 mA without backlight; 4 VDC @ 20 mA with loop-powered backlight.

Input Overload: Over current protection to 2 A max.

Loop-Powered Backlight Option: Factory installed only. Powered directly from the 4-20 mA loop, no batteries required. Backlight can be enabled or disabled via alternative wiring of terminal block. The display brightness will increase as the input signal current increases.

Product Ratings & Approvals

FM: Explosion-proof for use in Class I, Division 1, Groups B, C, D. Class II, Division 1, Groups E, F, G. Class III, Division 1; T6. Class I, Zone 1, AEx d IIC T6 Gb. Zone 21, AEx tb IIIC T85°C. Ta = -40 to 75°C.

Enclosure: Type 4X & IP66. Certificate number: 3040391

ATEX: II 2 G D. Ex d IIC T6 Gb. Ex tb IIIC T85°C Db IP68.

Ta = -40 to 75°C. Certificate number: Sira 10ATEX1116X

IECEX: IECEX SIR 10.0056X. Ex d IIC T6 Gb. Ex tb IIIC T85°C Db IP68.

Ta = -40 to 75°C

CSA: Class I, Division 1, Groups B, C, D. Class II, Division 1, Groups E, F, G. Class III, Division 1; T6. Class I, Zone 1, Ex d IIC T6.

Ta = -40 to 75°C. Enclosure: Type 4X & IP66.

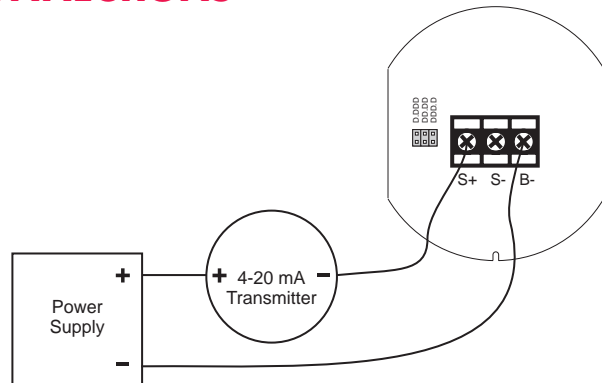
Certificate number: 11 2325749

Disclaimer

The information contained in this document is subject to change without notice. Precision Digital Corporation makes no representations or warranties with respect to the contents hereof, and specifically disclaims any implied warranties of merchantability or fitness for a particular purpose.

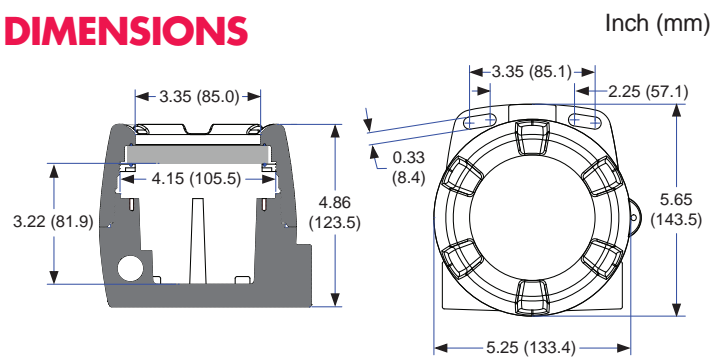
©2011-2014 Precision Digital Corporation. All rights reserved.

CONNECTIONS



PD6870 Input Connections with Loop-Powered Backlight

DIMENSIONS



ORDERING INFORMATION

ProtEX-FarVu PD6870 • Large Display Process Meter	
Model	Options Installed
PD6870-0L0	None
PD6870-0K0	Backlight



Your Local Distributor is:

INSTRUMENTS • CONTROLS • VALVES

CLICK TO VISIT OUR WEBSITE



ARCO
Engineering, Inc.
SINCE 1954
www.arcoengineering.com

3317 Gilmore Industrial Blvd.
Louisville, KY 40213

Ph: (502) 966-3134
Fx: (502) 966-3135

LDS6870_D 01/14