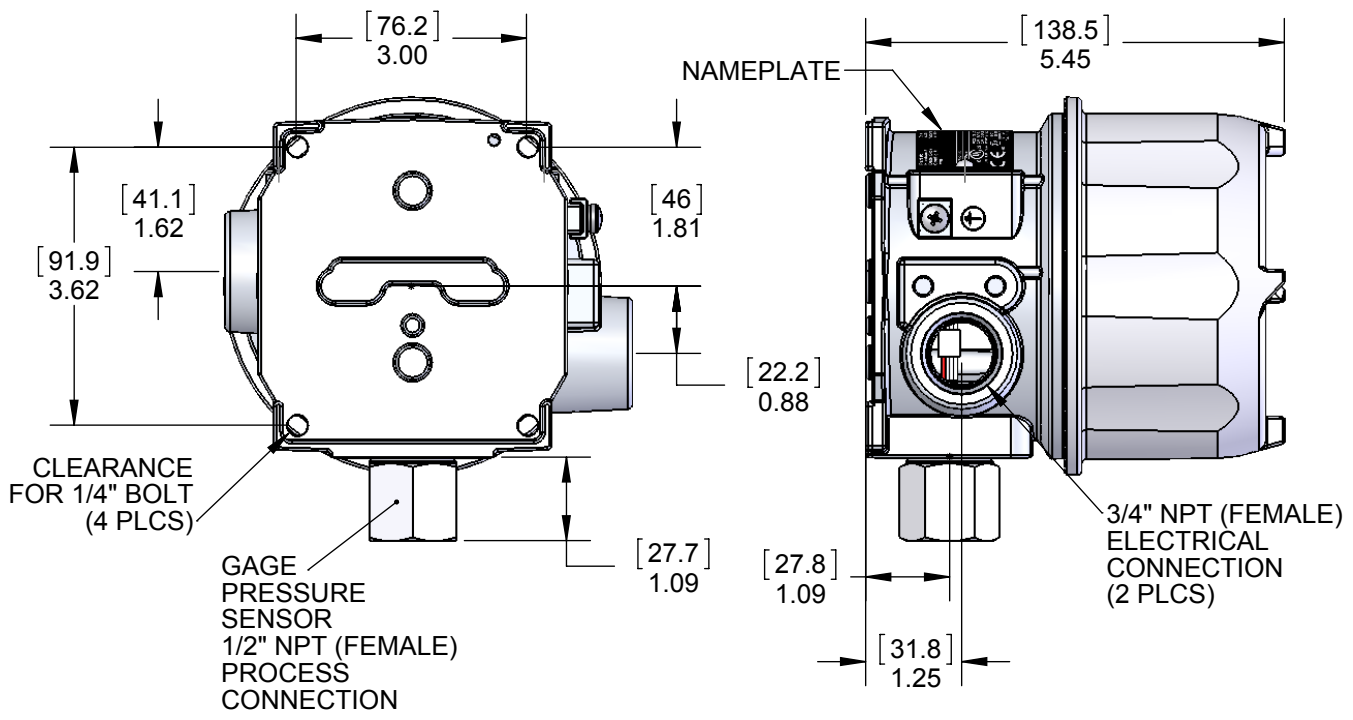
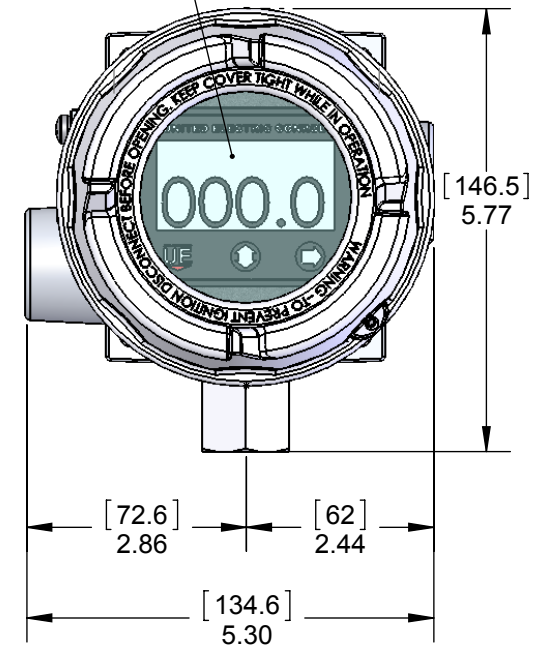


A-14021



DISPLAY CAN BE ROTATED UP TO 180° BOTH DIRECTIONS



SPECIFICATIONS:

MECHANICAL:
 WETTED MATERIALS: 316 STAINLESS STEEL
 ENCLOSURE: TYPE 360 ALUMINUM; EPOXY POWDER COATED

ELECTRICAL:
 ELECTRICAL CONNECTION:
 TB1: 3 POSITION TERMINAL BLOCK, 22-14 AWG Max
 * TB3: 2 POSITION TERMINAL BLOCK, 26-14 AWG Max
 * TB2: 4 POSITION TERMINAL BLOCK, 26-14 AWG Max

SWITCH SPECS (Switch and IAW):
 TB1: 4-20mA LOOP OUTPUT, 20-40 VDC@21mA Max.
 (VOLTAGES ABOVE 25 VDC REQUIRE A SUITABLE SERIES LOAD RESISTOR. SEE I&M FOR DETAILS)
 * TB3: IAW OUTPUT, 30 VDC @ 20 mA Max.
 * TB2: SWITCH OUTPUTS (2), 0-280 VAC/DC @ 300 mA (DERATE 8% PER 10°C ABOVE 21°C)

APPROVALS:

cULus LISTED
 CLASS I, DIVISION 1, GROUPS A, B, C & D;
 CLASS II, DIVISION 1, GROUPS E, F & G; CLASS III
 CLASS I, ZONE 1, AEx d IIC T3/T5*;
 Ex d IIC T3/T5*;
 CLASS I, ZONE 2, AEx nA IIC T4;
 CLASS I, ZONE 2 EX nA IIC T4;
 -40°C ≤ Tamb ≤ 85°C (-40°F ≤ Tamb ≤ 185°F)
 ENCLOSURE TYPE 4X; IP66
 UL File: E226592

ATEX APPROVED
 II 2 G Ex db IIC T3/T5* Gb;
 II 2 D Ex tb IIIC A21 T+90°C Db;
 IP66
 -40°C ≤ Tamb ≤ 85°C (-40°F ≤ Tamb ≤ 185°F)
 DEMKO 09 ATEX 0813748X

II 3 G Ex nA IIC T4 Gc
 DEMKO 15 ATEX 1483

APPROVALS:

IECEX APPROVED
 Ex db IIC T3/T5* Gb;
 Ex tb IIIC T+90°C Db;
 IP66
 -40°C ≤ Tamb ≤ 85°C (-40°F ≤ Tamb ≤ 185°F)
 IECEX UL 08.0017X

Ex nA IIC T4 Gc
 IECEX UL 08.0017X

* STRAIGHT PRESSURE SENSOR MODELS P10-P16
 HAVE A TEMPERATURE CLASS OF T3. ALL OTHER
 MODELS HAVE A T5 TEMPERATURE CLASS.

MODEL PXX	OPERATING RANGE				MAX. OVER PRESSURE	
	LOW		HIGH		psi	bar
P06	-14.7	-1	30	2.1	60	4.1
P08	-14.7	-1	100	6.9	200	13.8
P10	0	0	5	0.3	10	0.7
P11	0	0	15	1.0	30	2.1
P12	0	0	30	2.1	60	4.1
P13	0	0	50	3.4	100	6.9
P14	0	0	100	6.9	200	13.8
P15	0	0	300	20.7	600	41.4
P16	0	0	500	34.5	1000	68.9
P17	0	0	1000	68.9	2000	137.9
P18	0	0	3000	206.8	6000	413.7
P19	0	0	4500	310.3	9000	620.6
P20	0	0	6000	413.6	12000	827.4

INSTRUMENTS • CONTROLS • VALVES

CLICK TO VISIT OUR WEBSITE

ARCO Engineering, Inc. **Ph: (502) 966-3134**
 3317 Gilmore Industrial Blvd. **Fx: (502) 966-3135**
 Louisville, KY 40213

THIS DOCUMENT IS PROPRIETARY PROPERTY OF UNITED ELECTRIC CONTROLS. UNAUTHORIZED USE IS STRICTLY PROHIBITED.

REV.	ECN#	DESCRIPTION	DATE	DRWN	APPD
C	E5644	AGENCY TEMPERATURE CODE "T3/T5*" WAS "T5". ADDED TEMPERATURE CLASS NOTE: "* STRAIGHT PRESSURE SENSOR MODELS P10-P16..."	10-9-15	SR	RAM
B	E5632	DELETED "CLASS 1, ZONE 1" FROM "Ex d IIC T5" IN cULus APPROVAL. ADDED "b" TO "Ex db" IN ATEX AND IECEX APPROVALS	9-21-15	SR	EM
A	E5620	FIRST ISSUE.	9-4-15	RAM	RAM

ORIGINAL DATE	9-4-15
DRWN	RAM
CHKD	SR
APPD	R. McCAREY
UNLESS OTHERWISE SPECIFIED DIMENSIONS ARE IN INCHES TOLERANCES ON FRACTIONS ±1/64 2 PLACE DEC ±0.010 3 PLACE DEC ±0.005 ANGLES ±1/2°	
DO NOT SCALE THIS DRAWING	

TITLE
1XTXSW / 1XTX00 GAGE PRESSURE TRANSMITTER

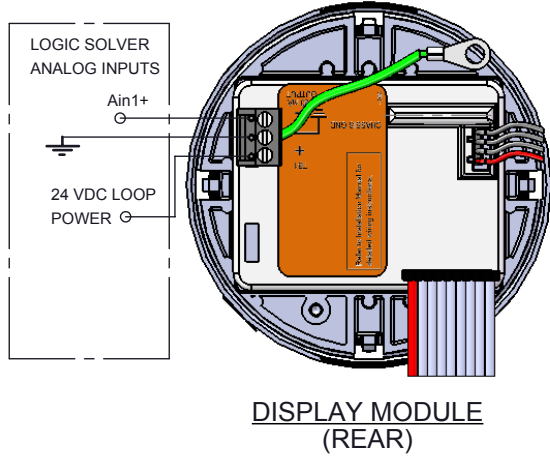
SCALE 1:2.5

UE
 UNITED ELECTRIC CONTROLS COMPANY
 WATERTOWN * MASSACHUSETTS

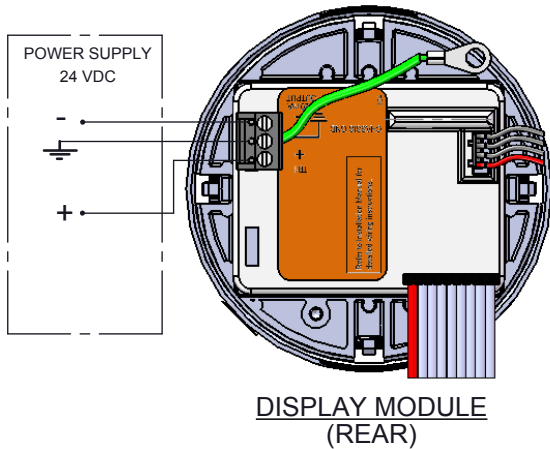
DWG NO Page 1 of 2
A-14021

POWER OPTIONS

POWERED BY 4-20mA LOOP(1XTXSW / 1TX00)

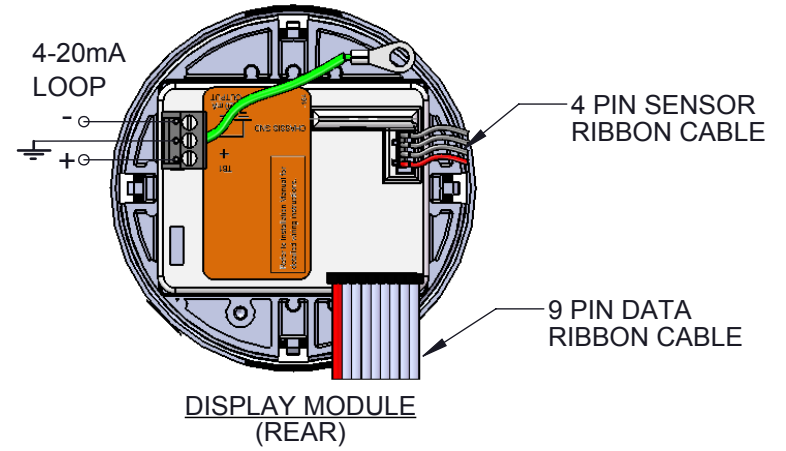


POWERED BY 24VDC POWER SUPPLY (1XTXSW ONLY)



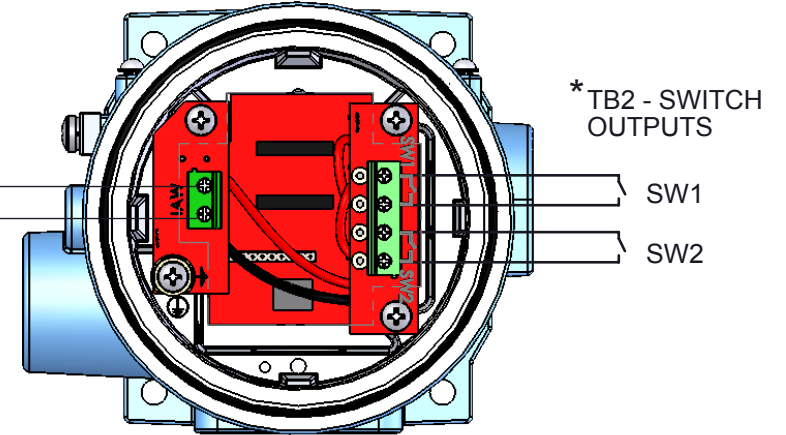
WIRING DIAGRAM

A-14021



* TB3 - IAW OUTPUT

TB3-2 +
TB3-1 -



* MODEL 1XTXSW ONLY

REV.	ECN#	DESCRIPTION	DATE	DRWN	APPD
C	E5644	SEE PG. 1 OF 2.	10-9-15	SR	RAM
B	E5632	SEE PG. 1 OF 2.	9-21-15	SR	EM
A	E5620	FIRST ISSUE.	9-4-15	RAM	RAM

ORIGINAL DATE	9-4-15	
DRWN	RAM	
CHKD	SR	
APPD	R. McCAREY	
UNLESS OTHERWISE SPECIFIED DIMENSIONS ARE IN INCHES		
TOLERANCES ON FRACTIONS ±1/64		
2 PLACE DEC	3 PLACE DEC	ANGLES
±0.010	±0.005	±1/2°
DO NOT SCALE THIS DRAWING		

TITLE	1XTXSW / 1TX00 GAGE PRESSURE TRANSMITTER
SCALE	1:1

UE
 UNITED ELECTRIC CONTROLS COMPANY
 WATERTOWN * MASSACHUSETTS
 DWG NO Page 2 of 2
A-14021