

# Bourdon Tube Pressure Gauge Type 111.11PM Panel Mount Gauge Standard Series

INSTRUMENTS • CONTROLS • VALVES

CLICK TO VISIT OUR WEBSITE



3317 Gilmore Industrial Blvd.  
Louisville, KY 40213

Engineering, Inc.  
SINCE 1954  
www.arcoengineering.com

Ph: (502) 966-3134  
Fx: (502) 966-3135

## Applications

- Compressed gas regulation
- HVAC and recovery systems
- Suitable for all media that will not obstruct the pressure system or attack copper alloy parts

## Special features

- Durable black ABS case
- Twist-lock window
- Reliable and economical

## Standard Features

### Design

ASME B40.100

### Sizes

2½" (68 mm)

### Accuracy class

± 3/2/3% of span (ASME B40.100 Grade B)

### Ranges

Vacuum / Compound to 200 psi  
Pressure from 15 psi to 6,000 psi  
or other equivalent units of pressure or vacuum

### Working pressure

Steady: 3/4 of full scale value  
Fluctuating: 2/3 of full scale value  
Short time: full scale value

### Operating temperature

Ambient: -40°F to 140°F (-40°C to 60°C)  
Media: 140°F (+60°C) maximum

### Temperature error

Additional error when temperature changes from reference temperature of 68°F (20°C) ±0.4% for every 18°F (10°C) rising or falling. Percentage of span.

### Pressure connection

Material: copper-alloy  
1/8" or 1/4" NPT center back mount (CBM)



Bourdon Tube Pressure Gauge Type 111.11PM

### Bourdon tube

Material: copper alloy  
15 psi to 600 psi: C-type  
800 psi to 6,000 psi: helical

### Movement

Copper alloy

### Dial

White aluminum with stop pin and black lettering.  
Zero-adjustment screw on dial

### Pointer

Black aluminum

### Case

Black ABS

### Window

Twist-lock clear polycarbonate

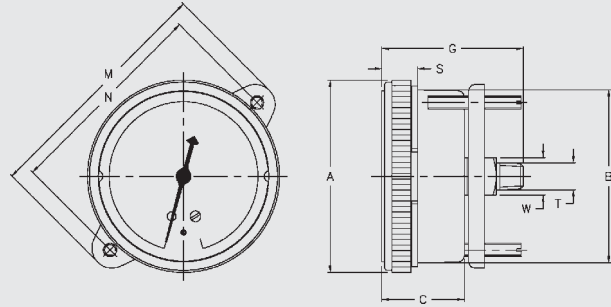
### U-clamp bracket

Zinc-plated steel with two threaded screws

## Optional Extras

- Brass restrictor
- Custom dial layout
- Special threaded connection
- Other pressure scales available:  
bar, kPa, MPa, kg/cm<sup>2</sup> and dual scales

## Dimensions



Size		A	B	C	G	M	N	S	T	W	Weight
2.5"	mm	72.4	65	31	56	91	78	13.5		14	
	in	2.85	2.56	1.22	2.20	3.58	3.07	0.53	1/4"	0.55	0.30 lb

Recommended panel cutout is dimension D + 1 mm

### Ordering information

Pressure gauge model / Nominal size / Scale range / Size of connection / Optional extras required  
 Specifications and dimensions given in this leaflet represent the state of engineering at the time of printing.  
 Modifications may take place and materials specified may be replaced by others without prior notice.



**WIKA Instrument Corporation**  
 1000 Wiegand Boulevard  
 Lawrenceville, GA 30045  
 Tel (770) 513-8200 Toll-free 1-888-WIKA-USA  
 Fax (770) 338-5118  
 E-Mail [info@wika.com](mailto:info@wika.com)  
[www.wika.com](http://www.wika.com)