

# Bourdon Tube Pressure Gauge Type 111.11 Compressed Gas Regulator Gauge Standard Series

INSTRUMENTS • CONTROLS • VALVES

CLICK TO VISIT OUR WEBSITE

**ARCO**

Engineering, Inc.

SINCE 1954

www.arcoengineering.com

3317 Gilmore Industrial Blvd.  
Louisville, KY 40213

Ph: (502) 966-3134  
Fx: (502) 966-3135

## Applications

- Compressed gas regulators
- Beverage dispensing machines
- Suitable for all media that will not obstruct the pressure system or attack copper alloy parts

## Special features

- UL-listed (UL-252a or UL-404)
- Polished brass or gold-painted steel case
- Cleaned for use in oxygen service

## Standard features

### Design

ASME B40.100

### Sizes

1½", 2" & 2½" (41, 53 & 68 mm)

### Accuracy class

± 3/2/3% of span (ASME B40.100 Grade B)

### Ranges

Vacuum / Compound to 200 psi  
Pressure from 15 psi to 6,000 psi  
or other equivalent units of pressure or vacuum

### Working pressure

Steady: 3/4 of full scale value  
Fluctuating: 2/3 of full scale value  
Short time: full scale value

### Operating temperature

Ambient: -40°F to 140°F (-40°C to 60°C)  
Media: 140°F (+60°C) maximum

### Temperature error

Additional error when temperature changes from reference temperature of 68°F (20°C) ±0.4% for every 18°F (10°C) rising or falling. Percentage of span.

### Pressure connection

Material: Copper-Alloy  
Lower Mount (LM): 1½", 2" and 2½"  
Center Back Mount (CBM); 1½" and 2"  
1/8" NPT, 1/4" NPT, limited to wrench flat area



Bourdon Tube Pressure Gauge Type 111.11

### Bourdon Tube

Material: copper alloy  
15 psi to 600 psi: C-type (low copper content)  
800 psi to 6,000 psi: helical

### Movement

Copper alloy

### Dial

White aluminum with stop pin and black lettering  
"USE NO OIL" in red

### Pointer

Black aluminum, non-adjustable

### Case

1½": gold-painted steel  
2" & 2½": polished brass or gold-painted steel

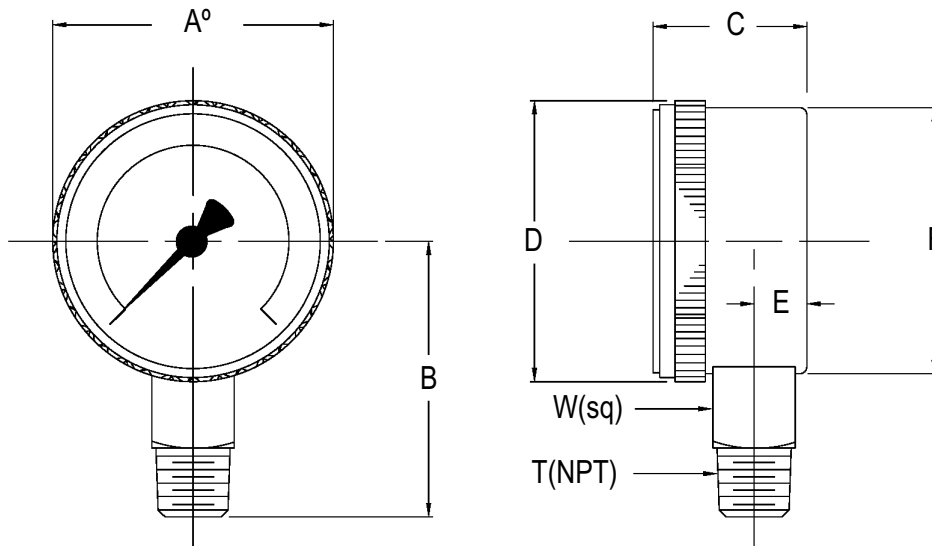
### Window

Twist-lock clear polycarbonate

## Optional Extras

- Brass restrictor (Std. for ranges 1,500 psi and higher)
- Special case colors
- Nickel-plated socket
- Chrome-plated steel case
- Chrome-plated ABS case
- Black ABS case
- Stainless steel case (2" size only)
- Special threaded connection
- Custom dial layout
- Heat sealed bag, thread cap and "oxygen cleaned" label
- Other pressure scales available:  
bar, kPa, MPa, kg/cm<sup>2</sup> and dual scales

## Dimensions - 1½", 2" and 2½" Lower Mount (LM)

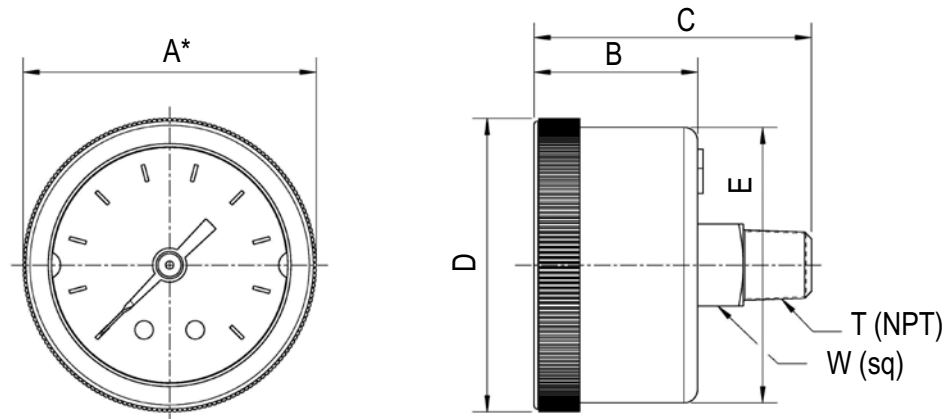


A<sup>0</sup> - Nominal case size

Size		A <sup>0</sup>	B	C <sup>1</sup>	D	E <sup>1</sup>	F	T	W	Weight
1.5"	mm	41	36.6	24	42.9	9	40	-	12	
	in	1.5	1.44	0.94	1.69	0.35	1.57	1/8"	0.47	0.14 lb
2"	mm	53	54	29	58	10.5	53.5	-	14	
	in	2.0	2.12	1.14	2.28	0.42	2.11	1/4"	0.55	0.24 lb
2.5"	mm	68	60	31	72.4	12	67.6	-	14	
	in	2.5	2.36	1.22	2.85	0.47	2.66	1/4"	0.55	0.33 lb

<sup>1</sup> For 2½" painted steel case, C dimension changes to 1.14" (29 mm), and E dimension changes to 0.35" (9 mm)

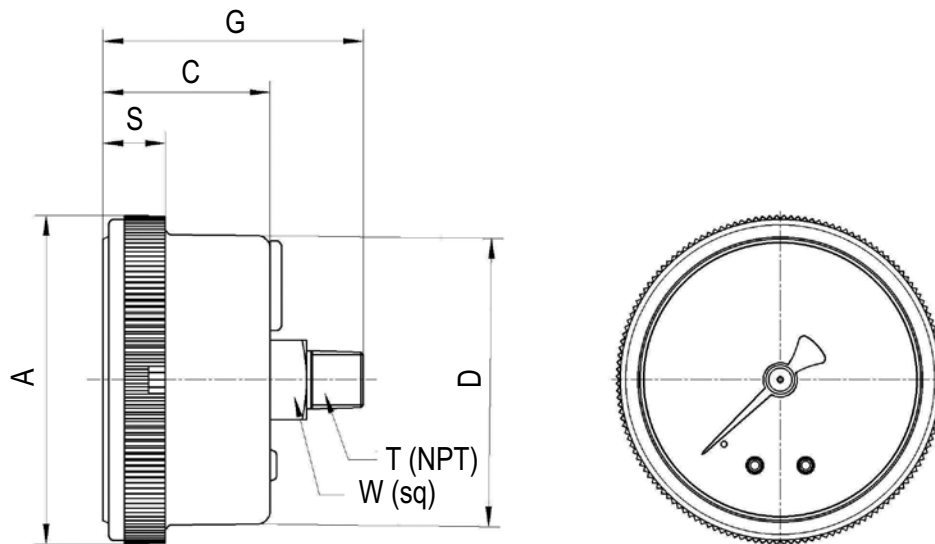
## Dimensions - 1½" Center Back Mount (CBM)



\* = nominal size

Size		A*	B	C	D	E	T	W	Weight
1.5"	mm	41	24	40.6	42.9	40.6	-	12	
	in	1.5	0.94	1.60	1.69	1.6	1/8"	0.47	0.14 lb

## Dimensions - 2" Center Back Mount (CBM)



Size		A	C	D	G	S	T	W	Weight
2"	mm	57.8	29	50.7	48.3	11	-	14	
	in	2.275	1.14	2	1.9	0.43	1/8" or 1/4"	0.44	0.24 lb

### Ordering information

Pressure gauge model / Nominal size / Scale range / Size of connection / Optional extras required  
 Specifications and dimensions given in this leaflet represent the state of engineering at the time of printing.  
 Modifications may take place and materials specified may be replaced by others without prior notice.



### WIKA Instrument Corporation

1000 Wiegand Boulevard  
 Lawrenceville, GA 30043  
 Tel (770) 513-8200 Toll-free 1-888-WIKA-USA  
 Fax (770) 338-5118  
 E-Mail info@wika.com  
 www.wika.com