

# Bourdon Tube Pressure Gauge Type 111.16 with Integrated Panel Mount Flange

INSTRUMENTS • CONTROLS • VALVES

[CLICK TO VISIT OUR WEBSITE](#)

**ARCO**

3317 Gilmore Industrial Blvd.  
Louisville, KY 40213

Engineering, Inc.  
SINCE 1954  
www.arcoengineering.com

Ph: (502) 966-3134  
Fx: (502) 966-3135

## Applications

- Pneumatics
- HVAC
- Suitable for all media that will not obstruct the pressure system or attack copper alloy parts

## Special features

- Reliable and economical
- Ranges up to 6,000 psi
- Fits metric size panel holes



## Standard Features

### Design

EN 837-1 & ASME B40.100

### Sizes

1½" & 2" (40 & 50 mm)

### Accuracy class

± 3/2/3% of span (ASME B40.100 Grade B)

### Ranges

Vacuum / Compound to 200 psi  
Pressure from 15 psi to 6,000 psi  
or other equivalent units of pressure or vacuum

### Working pressure

Steady: 3/4 of full scale value  
Fluctuating: 2/3 of full scale value  
Short time: full scale value

### Operating temperature

Ambient: -40°F to 140°F (-40°C to 60°C)  
Media: 140°F (+60°C) maximum

### Temperature error

Additional error when temperature changes from reference temperature of 68°F (20°C) ±0.4% for every 18°F (10°C) rising or falling. Percentage of span.

### Connection

Material: Copper alloy  
1/8" or 1/4" NPT center back mount (CBM)

## Bourdon Tube Pressure Gauge Type 111.16

### Bourdon Tube

Material: Copper alloy  
15 psi to 600 psi: C-type  
800 psi to 6,000 psi: helical

### Movement

Copper alloy

### Dial

White ABS with stop pin and black lettering

### Pointer

Black ABS

### Case

Black ABS with integral profile ring

### Window

Snap-in acrylic

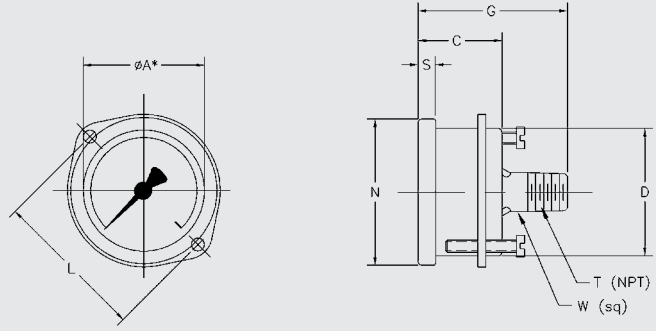
### U-clamp bracket (optional)

Zinc-plated steel with two zinc-plated slotted screws

## Optional Extras

- Round u-clamp bracket
- $\pm 2/1/2\%$  accuracy (ASME B40.100 Grade A)
- Front flange
- Crimped stainless steel profile ring
- Cleaned for oxygen service
- Special threaded connection
- Custom dial layout
- Other pressure scales available: Bar, kPa, MPa, kg/cm<sup>2</sup> and dual scales

## Dimensions



Size		A	C	D	G	N	S	T	W	Weight
<b>1.5"</b>	<b>mm</b>	40	26.5	40	45	45	4.5		14	
	<b>in</b>	1.5	1.04	1.57	1.77	1.77	0.18	1/8"	0.55	0.14 lb
<b>2"</b>	<b>mm</b>	50	26.5	49.5	47	54	4.5		14	
	<b>in</b>	2.0	1.04	1.95	1.85	2.13	0.18	1/4"	0.55	0.16 lb

### Ordering information

Pressure gauge model / Nominal size / Scale range / Size of connection / Optional extras required  
 Specifications and dimensions given in this leaflet represent the state of engineering at the time of printing.  
 Modifications may take place and materials specified may be replaced by others without prior notice.



### WIKA Instrument Corporation

1000 Wiegand Boulevard  
 Lawrenceville, GA 30045  
 Tel (770) 513-8200 Toll-free 1-888-WIKA-USA  
 Fax (770) 338-5118  
 E-Mail info@wika.com  
 www.wika.com