

# XSEL™ Process Gauge - 1019 Steel Socket

## Type 222.34 - Dry Case

## Type 223.34 - Liquid-filled Case

INSTRUMENTS • CONTROLS • VALVES

CLICK TO VISIT OUR WEBSITE

**ARCO**

3317 Gilmore Industrial Blvd.  
Louisville, KY 40213

Engineering, Inc.  
SINCE 1954  
www.arcoengineering.com

Ph: (502) 966-3134  
Fx: (502) 966-3135

### Applications

- For applications with high dynamic pressure pulsations or vibration a liquid filled case and socket restrictor are available
- Suitable for corrosive environments and gaseous or liquid media that will not obstruct the pressure system
- Process industry: chemical/petrochemical, power stations, mining, on and offshore, environmental technology, mechanical engineering and plant construction

### Special features

- Excellent load-cycle stability and shock resistance
- Solid front thermoplastic case
- 1019 steel socket and stainless steel tube
- XSEL™ Process Gauge with 5 year warranty on gauge and 10 year warranty on pressure system (see terms and conditions)
- All lower mount connection gauges are factory prepared for liquid filling

(LBM: must install membrane prior to field filling)

### Standard Features

#### Design

ASME B40.100

#### Sizes

4½" (115 mm) dial size

#### Accuracy class

± 0.5% of span (ASME B40.100 Grade 2A)

± 1.0% of span (ASME B40.100 Grade 1A)

(for 20,000 psi range and above)

#### Ranges

Vacuum / Compound to 200 psi

Pressure from 15 psi to 15,000 psi

or other equivalent units of pressure or vacuum

#### Working pressure

Steady: full scale value

Fluctuating: 0.9 x full scale value

Short time: 1.5 x full scale value

#### Operating temperature

Ambient: -40°F to +150°F (-40°C to +65°C) - dry

-40°F to +150°F (-40°C to +65°C) - silicone filled

Medium: max. +212°F (+100°C) (See Note 1 on reverse)

#### Temperature error

Additional error when temperature changes from reference temperature of 68°F (20°C) ±0.4% for every 18°F (10°C) rising or falling. Percentage of span.



Bourdon Tube Pressure Gauge Model 222.34

#### Weather protection

Weather resistant (NEMA 3 / IP54) - without membrane

Weather tight (NEMA 4X / IP65) - dry case or filled case with membrane installed

#### Pressure connection

Material: 1019 steel

Lower mount (LM) or lower back mount (LBM)

1/4" or 1/2" NPT with M4 internal tap

#### Restrictor

Material: Stainless steel (0.6 mm)

#### Bourdon tube

Material: 316L stainless steel

≤ 1,000 PSI: C-type

≥ 1,500 PSI: helical type

#### Movement

Stainless steel. Internal stop pin at 1.3 x full scale

Overload and underload stops - standard

Dampened movement - optional

#### Dial

White aluminum with black lettering, stop pin at 6 o'clock

#### Pointer

Black aluminum, adjustable

#### Case

Black fiberglass-reinforced thermoplastic (POCAN)

Solid front, blowout back

Turret-style case with built in rear flange lugs

## Window

Clear acrylic with Buna-N gasket

## Case filling

Silicone (100 CST) - Type 223.34

(Do not use Glycerine case fill)

## Optional extras

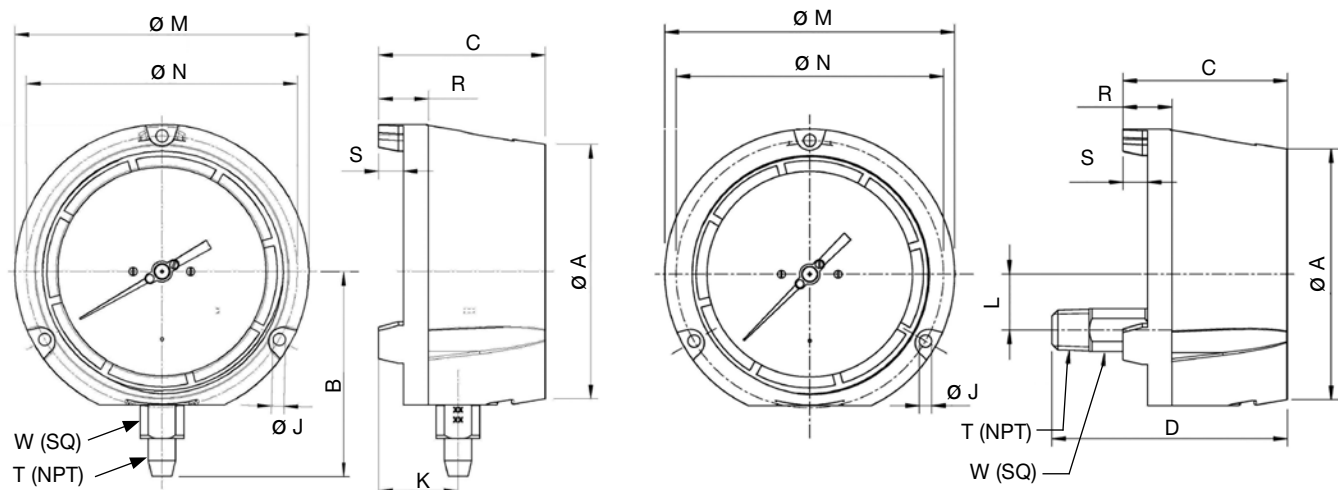
- Silicone dampened movement
- Panel mounting adaptor kit (field assembled)
- Halocarbon case filling
- Cleaned for oxygen service
- Instrument glass or safety glass window
- Drag pointer (maximum reading indicator)
- Alarm contacts switches (magnetic or inductive)
- Special process connections
- Custom dial layout
- External zero adjustment (4.5" size only)

Note 1: The maximum continuous media temperature for this gauge is 212°F. However, higher temperatures can be maintained safely for short term exposure per table to the right. The user should consider temperature error and gauge component degradation when exposing gauge to any media or ambient temperature above 212°F. For continuous use in either ambient or media temperatures above 212°F, a diaphragm seal or other heat dissipating means is recommended. Consult factory for technical inquiries and application assistance.

Short term, intermittent maximum media temperature limits  
(Optional glass window required for all these temperatures)

- 500°F (260 °C) - Dry Gauge
- 250°F (130°C) - Liquid filled gauge

## Dimensions



Size		A	B	C	D	J	K	L	M	N	R	S	T	W	Weight <sup>1</sup>
4.5"	mm	128	103	84	120.3	6.3	40	28.5	148	136.5	25	12.5		22	2.0 lb. dry
	in	5	4.06	3.31	4.74	0.248	1.57	1.12	5.83	5.37	0.99	0.49	1/2"	0.87	3.0 lb. filled

<sup>1</sup> Weight without optional accessories

### Ordering information

Pressure gauge model / Nominal size / Scale range / Size of connection / Optional extras required  
Specifications and dimensions given in this leaflet represent the state of engineering at the time of printing.  
Modifications may take place and materials specified may be replaced by others without prior notice.



### WIKAL Instrument Corporation

1000 Wiegand Boulevard  
Lawrenceville, GA 30043  
Tel (770) 513-8200 Toll-free 1-888-WIKA-USA  
Fax (770) 338-5118  
E-Mail info@wika.com  
www.wika.com