

## Bourdon Tube Pressure Gauge Type 232.54 XMAS Tree Gauge All Stainless Steel Construction

INSTRUMENTS • CONTROLS • VALVES

CLICK TO VISIT OUR WEBSITE



Engineering, Inc.  
SINCE 1954  
www.arcoengineering.com

3317 Gilmore Industrial Blvd.  
Louisville, KY 40213

Ph: (502) 966-3134  
Fx: (502) 966-3135

### Application

Designed specifically for oilfield well heads. Suitable for corrosive environments compatible with 316 stainless steel wetted parts for liquid or gaseous media which will not obstruct the pressure system.

### Standard Features

#### Design

ASME B40.100 and EN 837-1

#### Sizes

4" (100 mm)

#### Accuracy Class

± 1.0% of span

#### Ranges (All ranges not stocked)

Vacuum / Compound to 30 InHg / 0 / 200 psi  
Pressure from 15 psi to 15,000 psi  
or other equivalent units of pressure or vacuum

#### Working Pressure

Steady: Full scale value  
Fluctuating: 0.9 x full scale value  
Short Time: 1.3 x full scale value

#### Operating Temperature

Ambient: -40°F to 140°F (-40°C to 60°C)  
Media: 212°F (+100°C) maximum

#### Temperature Error

Additional error when temperature changes from reference temperature of 68°F (20°C) ±0.4% for every 18°F (10°C) rising or falling. Percentage of span.

#### Pressure Connection

Material: 316L stainless steel  
Lower Mount (LM) 1/4" or 1/2" NPT (limited to wrench flat area)

#### Bourdon Tube

Material: 316L stainless steel  
30 InHg (Vac) to 1000 psi C-type  
1500 psi to 15000 psi helical type

#### Movement

Stainless steel

#### Dial

White aluminum with black lettering and large numerals for easy reading



Bourdon Tube Pressure Gauge Type 232.54 XMAS

#### Pointer

Black aluminum, adjustable

#### Case

304 stainless steel with vent plug and polished stainless bayonet ring. Welded case / socket connection.

#### Weather Protection

Weather resistant (NEMA 4X / IP 65)

#### Window Gasket

Buna-N

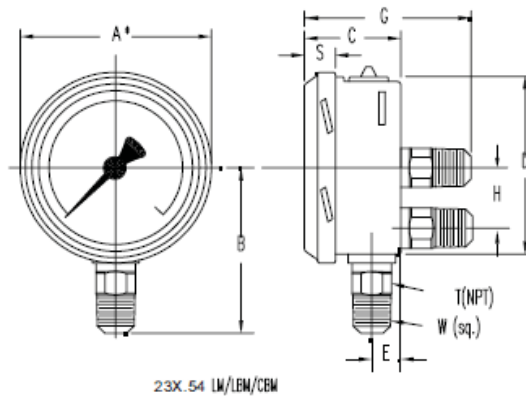
#### Window

Laminated Safety Glass

**Optional Extras**

- Custom dial layout
- Rear flange
- 316 SS threaded restrictor
- Acrylic window
- Flat glass window
- Special connections limited to wrench flat area
- Other pressure scales available:  
Bar, kPa, Kg/cm<sup>2</sup> and dual scales
- Drag pointer

**Dimensions**



**Size**

		A	B	C	D	E	S	T	W	Weight
4"	mm	110	87	49.5	100	15.5	15	-	22	
	in	4.3	3.43	1.95	3.94	0.61	0.59	1/2"	0.87	1.10 lb.

Specifications and dimensions provided in this data sheet represent the state of engineering at the time of printing. Modifications may take place and materials specified may be replaced by others without prior notice.



**WIKAI Instrument Corporation**  
 1000 Weigand Boulevard  
 Lawrenceville, Georgia 30043-5868  
 Tel: 770-513-8200 Fax: 770-338-5118  
 wika.com e-mail: info@wika.com