

Bourdon Tube Pressure Gauges Hinged Ring Test Gauge - Brass Wetted Part Type 312.25

INSTRUMENTS • CONTROLS • VALVES

CLICK TO VISIT OUR WEBSITE

ARCO
Engineering, Inc.
SINCE 1954
www.arcoengineering.com

3317 Gilmore Industrial Blvd.
Louisville, KY 40213

Ph: (502) 966-3134
Fx: (502) 966-3135

Applications

- Pressure monitoring panels
- Suitable for gaseous or liquid media that will not obstruct the pressure system or attack copper alloy parts
- Process industry: chemical/petrochemical, power stations, mining, on and offshore, environmental technology, mechanical engineering and plant construction

Special features

- Hinged ring for access to adjustable knife edge pointer
- Durable aluminum case and ring, mirror band dial
- Positive pressure ranges to 600 psi

Standard features

Design

ASME B40.100

Sizes

4½" (115) dial size

Accuracy class

± 0.25% of span (ASME B40.100 Grade 3A)

Ranges

Vacuum / Compound to 200 psi
Pressure from 15 psi to 600 psi
or other equivalent units of pressure or vacuum

Working pressure

Steady: full scale value
Fluctuating: 0.9 x full scale value
Short time: 1.3 x full scale value

Operating temperature

Ambient: -40°F to +140°F (-40°C to +60°C)
Medium: +212°F (+100°C) maximum

Temperature error

Additional error when temperature changes from reference temperature of 68°F (20°C) ±0.4% for every 18°F (10°C) rising or falling. Percentage of span.



Bourdon Tube Pressure Gauge Model 312.25

Weather protection

Weather resistant (NEMA 3 / IP54)

Pressure connection

Material: copper alloy
Lower back mount (LBM)
1/4" or 1/2" NPT with M4 internal tap

Bourdon tube

Material: copper alloy
C-type

Movement

Stainless steel. Internal stop pin at 1.3 x full scale

Dial

White aluminum with black lettering, stop pin at 6 o'clock

Pointer

Black aluminum, adjustable

Case

Black-painted aluminum with 3 threaded mounting bolts. Solid front, blowout back safety case. 304 stainless steel blowout back plate

Hinged ring

Black-painted steel with knurled clamping screw

Window

Flat instrument glass with silicone rubber gasket

Mounting bolts

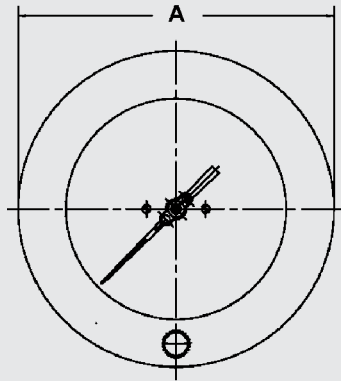
10-24 UNC threads - 4 1/2"

1/4-20 UNC threads - 6"

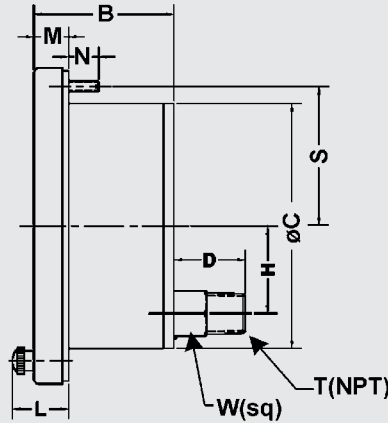
Optional extras

- Threaded restrictor
- Cleaned for oxygen service
- Safety glass window (4 1/2" size only)
- Special process connections
- Custom dial layout

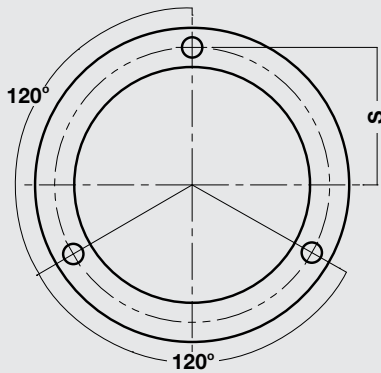
Dimensions



Front view



4 1/2" side view



Rear view

Size		A	B	C	D	H	L	M	N	R	S	T	W	Weight
4.5"	mm	154.7	68.6	120	35	41.4	27.4	17	19	-	68.32		22	
	in	6.09	2.70	4.73	1.37	1.63	1.08	0.67	0.75	-	2.69	1/4"	0.87	2.5 lb.

Recommended panel cutout
4 1/2": dimension C + 1.5 mm

Ordering information

Pressure gauge model / Nominal size / Scale range / Size of connection / Optional extras required
Specifications and dimensions given in this leaflet represent the state of engineering at the time of printing.
Modifications may take place and materials specified may be replaced by others without prior notice.



WIKAL Instrument Corporation
 1000 Wiegand Boulevard
 Lawrenceville, GA 30043
 Tel (770) 513-8200 Toll-free 1-888-WIKA-USA
 Fax (770) 338-5118
 E-Mail info@wika.com
 www.wika.com