

Bourdon Tube Pressure Gauge Model 332.34 LM-All Stainless Steel Wetted

INSTRUMENTS • CONTROLS • VALVES
CLICK TO VISIT OUR WEBSITE
ARCO 3317 Gilmore Industrial Blvd.
Engineering, Inc. Louisville, KY 40213
SINCE 1954 Ph: (502) 966-3134
www.arcoengineering.com Fx: (502) 966-3135

Applications

- Inspector's test gauge
- Testing and calibration of other measuring instruments
- Suitable for corrosive environments where the fluid medium does not clog the connection or corrode the wetted parts material.

Special features

- Solid front, blow-out back case
- Design meets ASME B40.1 safety requirements
- Thermoplastic case

Standard version

Design

ASME B40.100

Size

4½" (115mm)

Accuracy class

- ± 0.25% of span (ASME B40.1 Grade 3A) for pressure range -30" Hg to 600 psi
- ± 0.5% of span (ASME B40.1 Grade 2A) for pressure range > 600 psi and < 2,000 psi
- ± 0.25% of span (ASME B40.0 Grade 3A) for pressure range > 2,000 psi to 20,000 psi

Bourdon Tube

Material: 316 SS

30" Hg (Vac) to 1,000 psi C-type

1,500 to 20,000 psi helical type

Movement

Stainless steel

Internal stop pin at 1.3 times full scale value

Dial

White aluminum with black lettering and mirrored band

Pointer

Black aluminum, micrometer adjustable, with knife edge



Pressure Gauge 332.34

Ranges

Vacuum 30" Hg

Pressure from 15 psi to 20,000 psi (all ranges not available in 0.25% accuracy) or other equivalent units of pressure or vacuum

Case

Black fiberglass reinforced thermoplastic (PBTP)

Solid front, blow-out back

Turret style case with built in rear mounting lugs

Standard Scale

PSI

Window

Acrylic

Working Range

Steady: Full scale value

Fluctuating: 0.9 x full scale value

Short time: 1.3 x full scale value

Operating Temperature

Ambient: -40°F to 140°F (-40°C to 60°C)

Media: max. 212°F (+100°C)

Temperature error

Additional error when temperature changes from reference temperature of 68°F (20°C) ±0.4% for every 18°F (10°C) rising or falling. Percentage of span.

Connection

Material: 316 SS
Lower mount (LM)
1/4" NPT or 1/2" NPT limited to wrench flat area
with M4 internal tap

Weather Protection

Weather resistant (NEMA 3 / IP 54)

Window Gasket

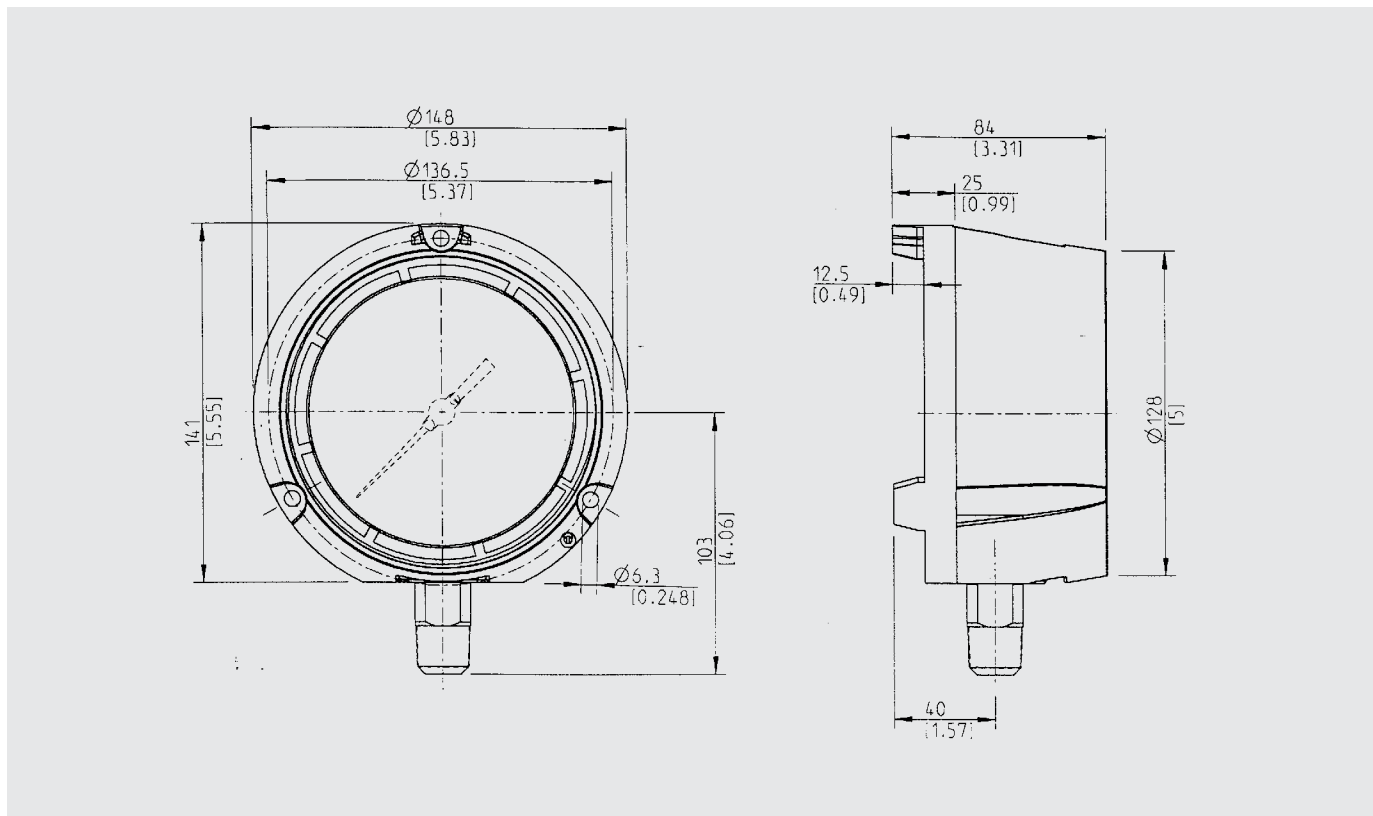
Buna-N

Order Options (min. order may apply)

Threaded restrictor
Cleaned for oxygen service
Flat instrument glass window
Safety glass window
Special connections limited to wrench flat area
Panel Mount Kit
Custom dial layout
Other pressure scales available:
Bar, kPa, Kg/cm², and dual scales
Red mark pointer

Dimensions

Standard versions



Ordering information

State computer part number (if available) /type number/size/range/connection size and locations/options required. WIKA reserves the right to make changes without prior notice.



WIKA Instrument Corporation
1000 Wiegand Boulevard
Lawrenceville, GA 30043
1-888-WIKA-USA /770-513-8200 (in GA)
Fax 770-338-5118
info@wika.com www.wika.com