

Bourdon Tube Pressure Gauge Model 332.54 LM-All Stainless Steel Const

INSTRUMENTS • CONTROLS • VALVES

[CLICK TO VISIT OUR WEBSITE](#)

ARCO
Engineering, Inc.
SINCE 1954
www.arcoengineering.com

3317 Gilmore Industrial Blvd.
Louisville, KY 40213

Ph: (502) 966-3134
Fx: (502) 966-3135

Applications

- Inspector's Test gauge
- Testing and calibration of other pressure measuring instruments
- Suitable for corrosive environments where the fluid medium does not clog the connection or corrode the wetted parts material.

Special features

- All stainless steel construction
- Removable bezel ring

Standard version

Design

ASME B40.100

Size

4" (100mm)

Accuracy class

- $\pm 0.25\%$ of span (ASME B40.1 Grade 3A) for pressure range -30" Hg to 600 psi
- $\pm 0.5\%$ of span (ASME B40.1 Grade 2A) for pressure range > 600 psi and < 2,000 psi
- $\pm 0.25\%$ of span (ASME B40.0 Grade 3A) for pressure range > 2,000 psi to 20,000 psi

Ranges (All ranges not stocked)

Vacuum 30" Hg

Pressure from 15 psi to 20,000 psi (all ranges not available in 0.25% accuracy) or other equivalent units of pressure or vacuum

Bourdon Tube

Material: 316 SS

30" Hg (Vac) to 1,000 psi C-type

1,500 PSI to 20,000 psi helical type

Movement

Stainless steel

Dial

White aluminum with black lettering and mirrored band



Pressure Gauge 332.54

Pointer

Black aluminum, micrometer adjustable, with knife edge

Case

304 SS with vent plug and polished stainless steel bayonet ring. Welded case to socket connection.

Standard Scale

PSI

Window

Laminated safety glass

Working Range

Steady: Full scale value
Fluctuating: 0.9 x full scale value
Short time: 1.3 x full scale value

Operating Temperature

Ambient: -40°F to 140°F (-40°C to 60°C)
Media: max. 212°F (+100°C)

Temperature error

Additional error when temperature changes from reference temperature of 68°F (20°C) $\pm 0.4\%$ for every 18°F (10°C) rising or falling. Percentage of span.

Connection

Material: 316 SS
Lower mount (LM)
1/4" or 1/2" NPT

Window Gasket

Buna-N

Weather protection

Weather tight (NEMA 4X / IP 65)

Other

Supplied standard with a zippered, padded carry bag

ORDER OPTIONS (min. order may apply)

Custom dial layout

316 SS threaded restrictor

Polycarbonate window

Flat instrument glass window

Special connections limited to wrench flat area

Other pressure scales available:

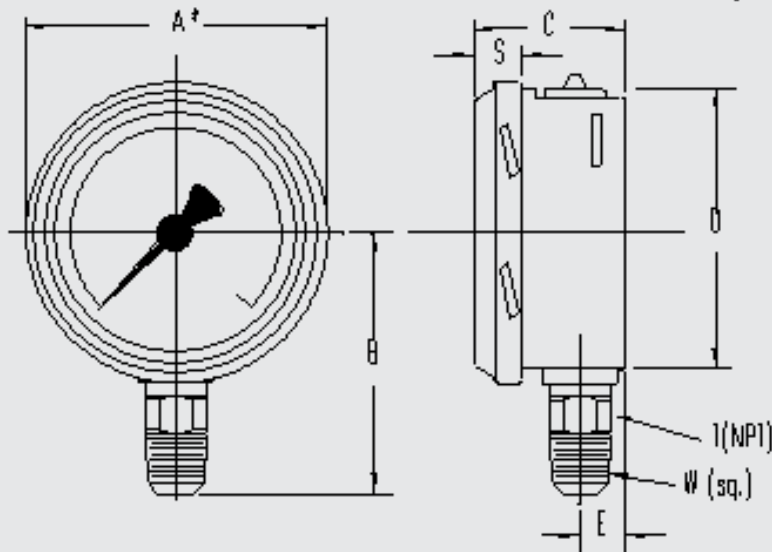
Bar, kPa, Kg/cm² and dual scales

Cleaned for oxygen service

Red Mark Pointer

Dimensions

Standard versions



	Weight	Key	A*	B	C	D	E	S	T	W
332.54	1.76 lbs.	mm	100	82	49	100	16	15	-	22
		in	4.0	3.23	1.93	3.94	.63	.59	1/4"	.87

Note: A*= nominal size; for gauges with 1/2" NPT connection, add 5mm (0.02") to "B" dimension

Ordering information

State computer part number (if available) /type number/size/range/connection size and locations/options required. WIKA reserves the right to make changes without prior notice.



WIKA Instrument Corporation

1000 Wiegand Boulevard

Lawrenceville, GA 30043

1-888-WIKA-USA /770-513-8200 (in GA)

Fax 770-338-5118

info@wika.com www.wika.com