

Capsule Pressure Gauge Model 612.20, Stainless Steel Case

INSTRUMENTS • CONTROLS • VALVES

CLICK TO VISIT OUR WEBSITE

ARCO
Engineering, Inc.
SINCE 1954
www.arcoengineering.com

3317 Gilmore Industrial Blvd.
Louisville, KY 40213

Ph: (502) 966-3134
Fx: (502) 966-3135

Applications

- Low pressure pneumatic systems
- Suitable for fluid medium, gaseous or dry that does not corrode copper alloy.

Special features

- Low pressure series
- Copper alloy wetted parts & stainless steel case
- Capsule pressure gauge

Standard version

Size

4" (100mm) & 6" (160mm)

Accuracy class

± 1.5% of span

Ranges (All ranges not stocked)

2.5" H₂O to 275" H₂O (6 to 685 mbar) or other equivalent units of pressure or vacuum

Connection

Material: copper alloy
Lower mount (LM)
Lower back mount (LBM)
1/4" NPT or 1/2" NPT

Capsule Element

Material: copper alloy

Movement

Copper alloy, nickel-silver pinion gear and shaft.
Zero adjustment screw on dial

Dial

White aluminum with black lettering

Pointer

Black aluminum (zero adjust on dial. Must remove window to access)



Pressure Gauge 612.20

Case

304 stainless steel with stainless steel bayonet ring

Weather Protection

Weather resistant (NEMA 3 / IP 54)

Standard Scales

in. H₂O/mm H₂O
oz.-sq. in./mm H₂O
oz.-sq. in./in. H₂O
PSI

Window Gasket

Buna-N

Window

Flat window glass

Working Range

Steady: Full scale value
Fluctuating: 0.9 x full scale value

Operating Temperature

Ambient: -4°F to 140°F (-20°C to 60°C)
Media: max. 212°F (+100°C)
max. 176°F (+80°C) for 4" LBM

Temperature error

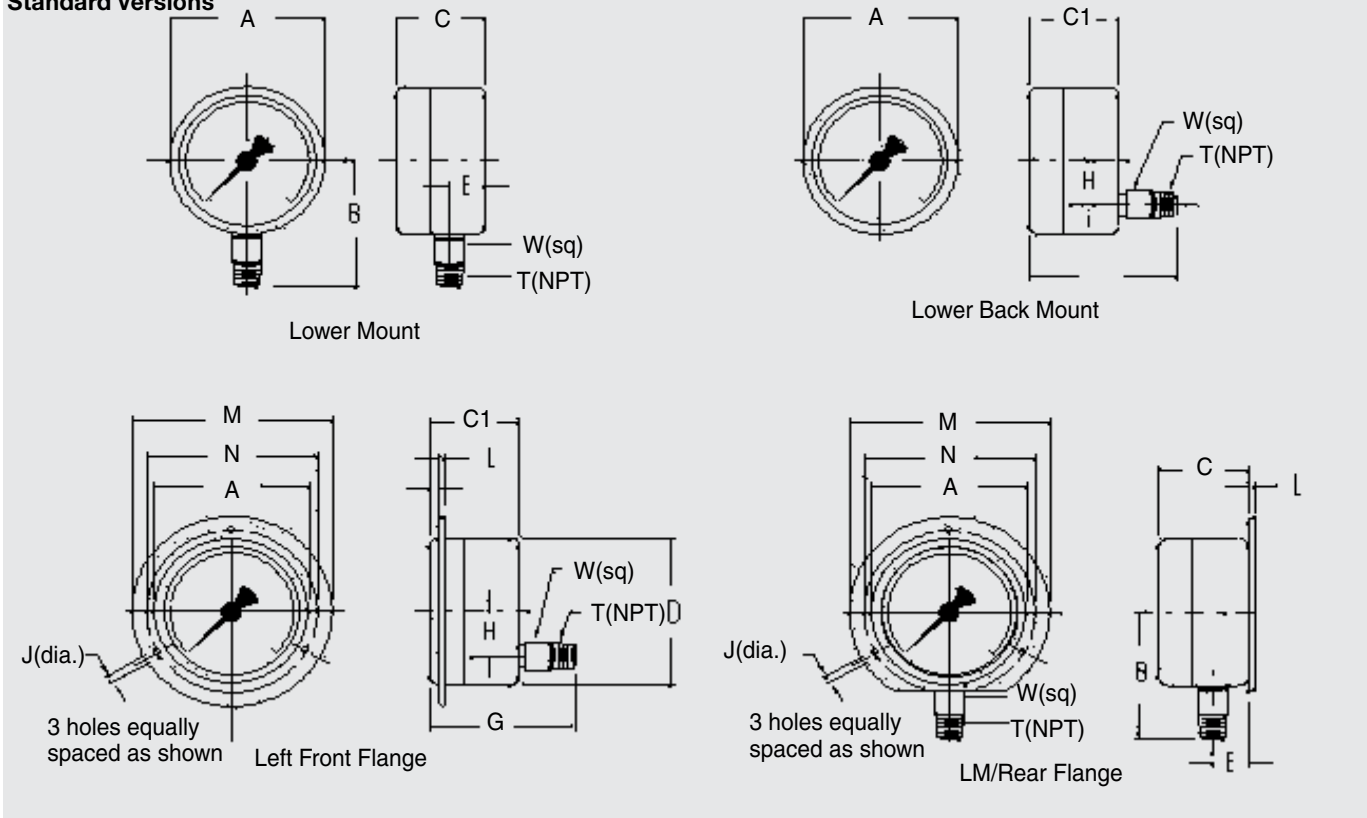
Additional error when temperature changes from reference temperature of 68°F (20°C) ±0.4% for every 18°F (10°C) rising or falling. Percentage of span.

Optional Extras

- Front stainless steel polished
- Brass threaded restrictor
- U-Clamp bracket steel zinc plated with stainless steel polished profile ring
- Safety glass window
- Overpressure and underpressure protection
- Cleaned for oxygen service
- Medical specification
- Special connections limited to wrench flat area
- Nickel plated connection
- Externally adjustable red mark pointer (set pointer)
- Externally adjustable red drag pointer (max. pointer)
- Custom dial layout
- DIN standards
- Other pressure scales available

Dimensions

Standard versions



A* NOMINAL SIZE

TYPE/SIZE	WEIGHT	KEY	A	B	C	C1	D	E	G	H	J	L	M	N	T	W
612.20	1.32 lbs	mm	101	85	49.3	49.3	104	15.5	78	30	4.8	3	132	116	1/2" or 1/4"	22
4"		in	4	3.35	1.94	1.94	4.09	0.61	3.07	1.18	0.19	0.12	5.2	4.57	1/2" or 1/4"	0.86

Note: For 1/4" NPT connections, B dimension changes to 80mm / 3.15 in.
Recommended panel cut-out: D + 1mm

Ordering information

State computer part number (if available) /type number/size/range/connection size and locations/options required. WIKA reserves the right to make changes without prior notice.



WIKAI Instrument Corporation
 1000 Wiegand Boulevard
 Lawrenceville, GA 30043
 1-888-WIKA-USA /770-513-8200 (in GA)
 Fax 770-338-5118
 info@wika.com www.wika.com