

Capsule Pressure Gauges Solid-Front Process Gauge Types 612.34 & 632.34

INSTRUMENTS • CONTROLS • VALVES

CLICK TO VISIT OUR WEBSITE

ARCO

Engineering, Inc.
SINCE 1954
www.arcoengineering.com

3317 Gilmore Industrial Blvd.
Louisville, KY 40213

Ph: (502) 966-3134
Fx: (502) 966-3135

Applications

- Where measurement of low pressures is needed
- Suitable for corrosive environments and gaseous or liquid media that will not obstruct the pressure system
- Process industry: chemical/petrochemical, power stations, mining, on and offshore, environmental technology, mechanical engineering and plant construction

Special Features

- Solid front thermoplastic case
- Brass or 316 SS wetted parts
- Ranges from 10" H₂O

Standard Features

Design

ASME B40.100

Sizes

4½ (115 mm) dial size

Accuracy class

± 2/1/2% of span (ASME B40.100 Grade A)

Ranges

6X2.34: 10" H₂O to 10 psi or other equivalent units of pressure or vacuum

Working pressure

Steady: full-scale value
Fluctuating: 0.9 x full-scale value

Operating temperature

Ambient: -4°F to +140°F (-20°C to +60°C)
Medium: +212°F (+100°C) maximum

Temperature error

Additional error when temperature changes from reference temperature of 68°F (20°C) ±0.6% for every 18°F (10°C) rising or falling. Percentage of span.

Weather protection

Weather resistant (NEMA 3 / IP54)



Capsule Element Pressure Gauge Model 632.34

Pressure connection

Material: copper alloy - Type 612.34
Material: 316L SS - Type 632.34
Lower mount (LM)
¼" or ½" NPT

Capsule element

Material: copper alloy - Type 612.34
Material: 316L SS - Type 632.34

Movement

Stainless steel

Dial

White aluminum with black lettering, stop pin at 6 o'clock

Pointer

Black aluminum, adjustable

Case

Black - fiberglass reinforced thermoplastic (POCAN)
Solid front / blowout back safety case design
Turret-style case with built in rear flange lugs

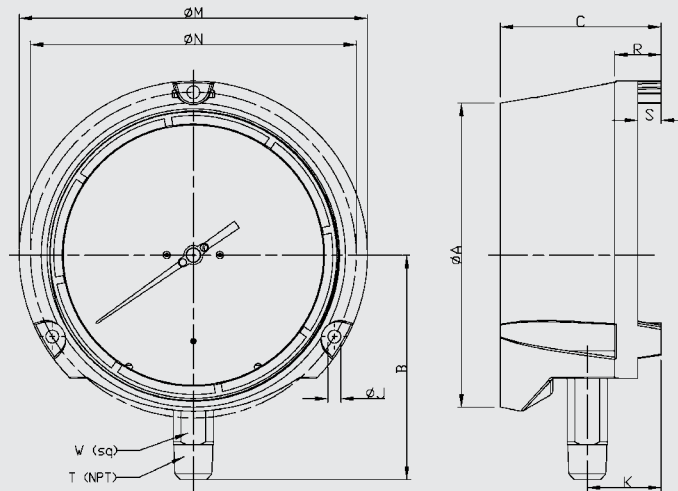
Window

Clear acrylic with Buna-N gasket

Optional extras

- Threaded restrictor
- 10X overpressure or vacuum safety
- Panel mounting adaptor kit (field assembled)
- Instrument glass or safety glass window
- Special process connections
- Custom dial layout
- Case fillings available, ranges 40" H₂O & up
- Traceable material certificate (316 SS wetted parts only)
- NACE certificate (316 SS wetted parts only)

Dimensions



Size		A	B	C	J	K	M	N	R	S	T	W	Weight ¹
4.5"	mm	128	103	84	6.3	40	148	136.5	25	12.5		22	
	in	5	4.06	3.31	0.248	1.57	5.83	53.7	0.99	0.49	1/2"	0.87	2 lb.

¹ Weight without optional accessories



WIKA Instrument Corporation
 1000 Wiegand Boulevard
 Lawrenceville, GA 30043-5868
 Tel: 888-WIKA-USA • 770-513-8200
 Fax: 770-338-5118
 E-Mail: info@wika.com
www.wika.com